



Rugged die cast floodlight with heavy mounting arm, lens, glare shield and weatherproof silicone gasket. 75 Watt max., accepts lamp types PAR16, PAR20 and R type. 120 volt Lamp not supplied.

Color: Black

Weight: 1.6 lbs

Project:	Type:
Prepared By:	Date:

Lamp Info		Ballast Info	
Type	PAR20	Type	N/A
Watts	75W	120V	N/A
Shape/Size	N/A	208V	N/A
Base	N/A	240V	N/A
ANSI	N/A	277V	N/A
Hours	2,500	Input Watts	N/A
Lamp Lumens	550 lm		
Efficacy	N/A		

Technical Specifications

Compliance

UL Listed:

Suitable for wet locations. Suitable for mounting within 4 ft (1.2m) of the ground.

Trade Agreements Act Compliant:

This product is a product of Cambodia and a "designated country" end product that complies with the Trade Agreements Act

Construction

Swivels:

1/2" NPS threaded arm with serrated locking swivel fits all standard mounting boxes. EZ Grip locknuts color matched to fixture.

Housings:

Precision die-cast aluminum

Electrical

Watts:

75

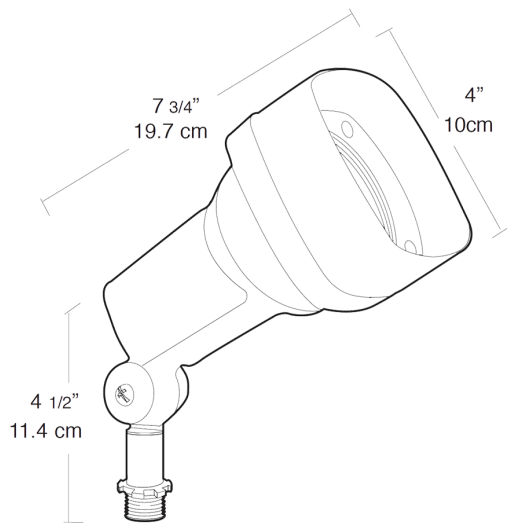
Voltage:

120V

Sockets:

Medium base porcelain with all copper current carrying components and spring loaded center contact

Dimensions



Features

- Rugged die cast aluminum housing with polyester powder coat finish
- Deep Glare Shield
- weatherproof lens and gasket
- "O" Ring seal for full weather protection
- No-rust brass & stainless steel external hardware
- Rugged mounting arm has 1/2" threads and pivots 180
- EZ Grip locknuts are color matched to fixture and can be tightened with fingers, pliers or screwdriver