

LF4MAX SERIES Outdoor Lighting

LF4MAX-MD-20-50W-MCTPB-TR-P

MAXIMUM-FEATURE ROUND-BACK FLOOD LIGHT WITH U BRACKET

MCTP Multi Color Temperature & Multi Power/Wattage (Selectable)

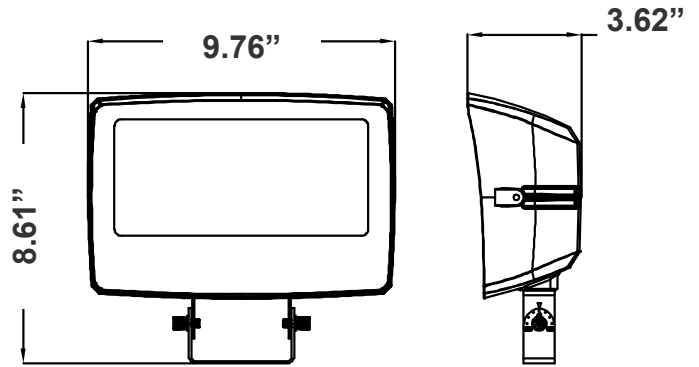


Customer Name: _____

Project Name: _____

Note: _____

Type: _____



Round-back floodlight with U-bracket offering full control of beam angle, CCT, wattage, and photocell. Model MTP4 arriving this season.

9.74"(W) x 8.61"(H) x 3.62"(D)

Features

- 270° Adjustable Yoke Mount
- 7-Year Warranty

- Multi-CCT & Multi-Power - The Switches are on the Bottom of the Fixture

Technical Specifications

Electrical:

- Voltage: 120~277VAC/50~60 Hz
- Wattage: 20W/30W/50W
- Power Factor: >0.9
- Efficacy: 140LPW

Mechanical:

- Housing: Die-cast Aluminum Housing with Powder Coat Finish (Dark Bronze)
- 270° Adjustable Yoke Mount
- Photocell Included (With Disconnect Switch)
- 6KV Lightning Surge Protection
- Cord Type: 1.5' SJTW 18/3 AWG Cable
- Operating Temperature: -40°F to 104°F
- Suitable for Wet Locations
- Effective projected areas (EPA's) are:
 - Front = 0.38 square feet
 - Side = 0.30 square feet
 - Face = 1.05 square feet
- IP Rating: IP65
- 7-Year Warranty

Lighting:

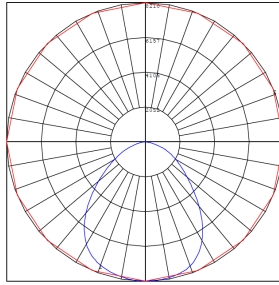
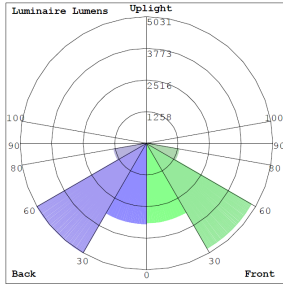
- Multi-CCT & Multi-Power - The Switches are on the Bottom of the Fixture
- Total Lumens: 7000LM
- Color Temperature: 3000K/4000K/5000K
- Color Rendering Index: ≥ 70
- Adjustable Beam Angle: 135°x125°/120°x120°/90°x90°
- 70,000 Hours Rated Life

Applications:

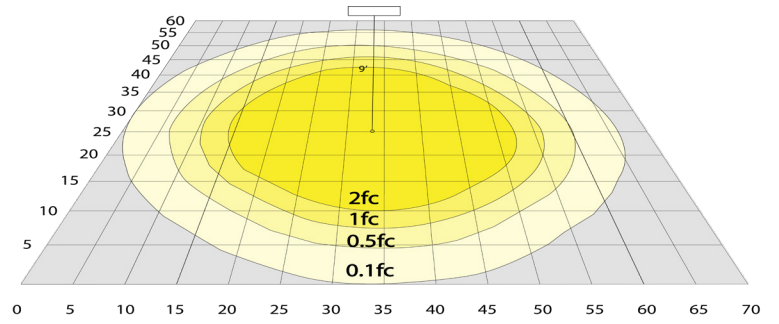
- Ideal for general site lighting, alleys, loading docks, doorway, pathway and parking areas.
- Replace existing HID flood lights/ wall packs



Photometrics: LF4MAX-MD-20-50W-MCTPB-TR-P



BUG Rating: B4-U0-G1



Area 60'x 70' Mounting Height: 20'

Other Views:



Side View



Front View



Back View

Performance Table: LF4MAX-MD-20-50W-MCTPB-TR-P

MODEL NO.	Wattage	Voltage	Lumens	Color Temp.	BUG Rating	LPW
LF4MAX-MD-20-50W-MCTPB-TR-P	20W 30W 50W	120~277V	2800LM 4200LM 7000LM	3000K 4000K 5000K	B4-U0-G1	140

Sample Ordering

Model	Size	Min.Wattage	Max.Wattage	Color Temp.	Bracket	Photocell
LF4MAX	- MD	- 20	- 50W	- MCTPB	- TR	- P

