

LRD SERIES RESIDENTIAL LIGHTING

LRD-10W-27K-3WTR
LRD-10W-30K-3WTR
LRD-10W-35K-3WTR
LRD-10W-40K-3WTR
LRD-10W-50K-3WTR

Customer Name: _____
Project Name: _____
Note: _____ | Type: _____

3" LED ARCHITECTURAL WINGED OPEN RECESSED LIGHTS



MATTE GOLD

WHITE

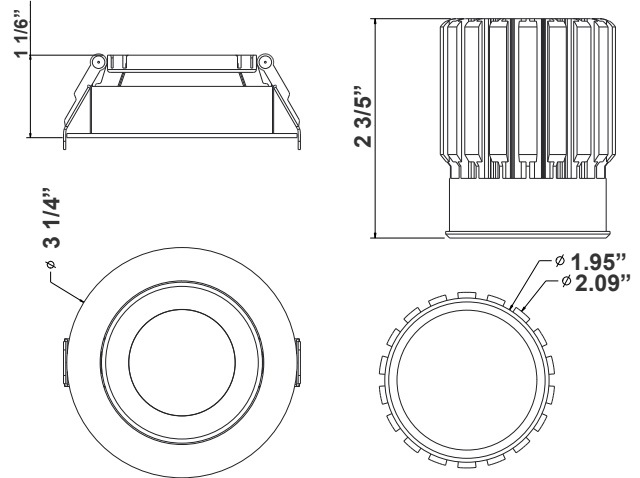
BLACK ON BLACK



BLACK

CLEAR

MATTE SILVER



3 3/4"(H) X 3 1/4"(D)
Driver Box Dimensions:
5-1/4" x 1-5/8" x 1-1/8"

Ideal for New as well as old residential and commercial constructions.

Features

- 3" (2-1/8" Actual) LED Winded Recessed Trim
- Die-Cast Aluminum With White Powder Coat Finish
- 5-Year Warranty
- Junction Box Included With Fixture

Technical Specifications

Electrical:

- Voltage: 120VAC
- Wattage: 10W
- Power Factor: >0.90
- Efficacy: Up to 70 LM/W

Mechanical:

- Up to 9 AWG18 Wires
- Die-Cast Aluminum With White Powder Coat Finish
- Clear Glass Lens
- Junction Box Included With Fixture
- Type IC rated: Approved for Direct Contact With Insulation
- Operating Temperature: 104°F
- Lifespan: 50,000 Hrs.
- Air-Tight and Type IC Rated: No Housing Required
- Damp Location Approved

Lighting:

- Dimming: Dimmable Down to 10% Using Standard TRIAC LED Dimmer
- Total lumens: 700LM
- Color Temperature: 2700K/3000K/3500K/4000K/5000K
- Color Rendering Index: >90
- Beam Angle: 24°

Applications:

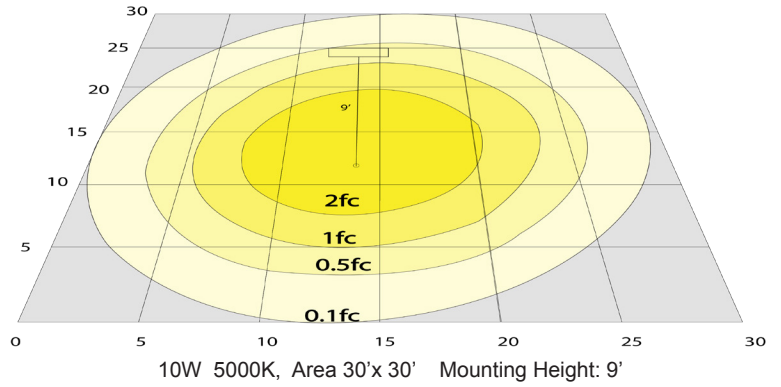
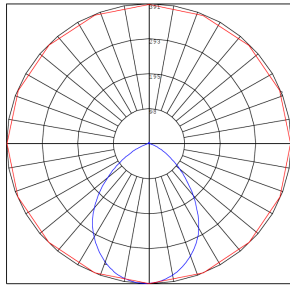
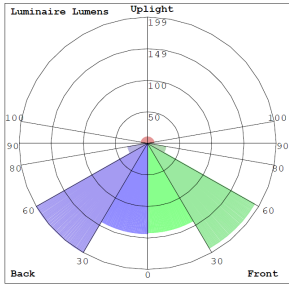
- Ideal for New as well as old residential and commercial constructions.

Other Models:

- 7W | 490LM | LRD-7W-27K-3WTR-MG/WH/ABK/BK/C/HZ
- 7W | 490LM | LRD-7W-30K-3WTR-MG/WH/ABK/BK/C/HZ
- 7W | 490LM | LRD-7W-35K-3WTR-MG/WH/ABK/BK/C/HZ
- 7W | 490LM | LRD-7W-40K-3WTR-MG/WH/ABK/BK/C/HZ
- 7W | 490LM | LRD-7W-50K-3WTR-MG/WH/ABK/BK/C/HZ



Photometrics: LRD-10W-3WTR



BUG Rating: B1-U2-G0

10W 5000K, Area 30'x 30' Mounting Height: 9'

Other Views:



- LRD-WTR3-MG
- LRD-WTR3-MG
- LRD-WTR3-MG
- LRD-WTR3-MG
- LRD-WTR3-MG

- LRD-EGN-10W-27K-D
- LRD-EGN-10W-30K-D
- LRD-EGN-10W-35K-D
- LRD-EGN-10W-40K-D
- LRD-EGN-10W-50K-D

- LRD-10W-27K-3WTR-MG
- LRD-10W-30K-3WTR-MG
- LRD-10W-35K-3WTR-MG
- LRD-10W-40K-3WTR-MG
- LRD-10W-50K-3WTR-MG



- LRD-WTR3-WH
- LRD-WTR3-WH
- LRD-WTR3-WH
- LRD-WTR3-WH
- LRD-WTR3-WH

- LRD-EGN-10W-27K-D
- LRD-EGN-10W-30K-D
- LRD-EGN-10W-35K-D
- LRD-EGN-10W-40K-D
- LRD-EGN-10W-50K-D

- LRD-10W-27K-3WTR-WH
- LRD-10W-30K-3WTR-WH
- LRD-10W-35K-3WTR-WH
- LRD-10W-40K-3WTR-WH
- LRD-10W-50K-3WTR-WH



- LRD-WTR3-ABK
- LRD-WTR3-ABK
- LRD-WTR3-ABK
- LRD-WTR3-ABK
- LRD-WTR3-ABK

- LRD-EGN-10W-27K-D
- LRD-EGN-10W-30K-D
- LRD-EGN-10W-35K-D
- LRD-EGN-10W-40K-D
- LRD-EGN-10W-50K-D

- LRD-10W-27K-3WTR-ABK
- LRD-10W-30K-3WTR-ABK
- LRD-10W-35K-3WTR-ABK
- LRD-10W-40K-3WTR-ABK
- LRD-10W-50K-3WTR-ABK





+



=



LRD-WTR3-BK
LRD-WTR3-BK
LRD-WTR3-BK
LRD-WTR3-BK
LRD-WTR3-BK

LRD-EGN-10W-27K-D
LRD-EGN-10W-30K-D
LRD-EGN-10W-35K-D
LRD-EGN-10W-40K-D
LRD-EGN-10W-50K-D

LRD-10W-27K-3WTR-BK
LRD-10W-30K-3WTR-BK
LRD-10W-35K-3WTR-BK
LRD-10W-40K-3WTR-BK
LRD-10W-50K-3WTR-BK



+



=



LRD-WTR3-C
LRD-WTR3-C
LRD-WTR3-C
LRD-WTR3-C
LRD-WTR3-C

LRD-EGN-10W-27K-D
LRD-EGN-10W-30K-D
LRD-EGN-10W-35K-D
LRD-EGN-10W-40K-D
LRD-EGN-10W-50K-D

LRD-10W-27K-3WTR-C
LRD-10W-30K-3WTR-C
LRD-10W-35K-3WTR-C
LRD-10W-40K-3WTR-C
LRD-10W-50K-3WTR-C



+



=



LRD-WTR3-HZ
LRD-WTR3-HZ
LRD-WTR3-HZ
LRD-WTR3-HZ
LRD-WTR3-HZ

LRD-EGN-10W-27K-D
LRD-EGN-10W-30K-D
LRD-EGN-10W-35K-D
LRD-EGN-10W-40K-D
LRD-EGN-10W-50K-D

LRD-10W-27K-3WTR-HZ
LRD-10W-30K-3WTR-HZ
LRD-10W-35K-3WTR-HZ
LRD-10W-40K-3WTR-HZ
LRD-10W-50K-3WTR-HZ



Performance Table: LRD-10W-3WTR

MODEL NO.	Wattage	Voltage	Lumens	Color Temp.	BUG Rating	LPW
LRD-10W-27K-3WTR	10W	120V	700LM	2700K	B1-U2-G0	70
LRD-10W-30K-3WTR				3000K		
LRD-10W-35K-3WTR				3500K		
LRD-10W-40K-3WTR				4000K		
LRD-10W-50K-3WTR				5000K		

Accessory:

Blank = No Option For Accessories
 LRD-FGL = LRD SERES FROSTED GUASS LENS
 RSL-346-RIBH = 3", 4", 6" (ADJUSTABLE) ROUND GALVANIZED PLATE WITH BAR HANGERS

Accessory:



LRD-FGL



RSL-346-RIBH
 3", 4", 6" (Adjustable) Round Galvanized plate
 with Bar Hangers

Sample Ordering

Model	Wattage	Color Temp.	Size	Size		
LRD	-	10W	-	3WTR	-	

27K = 2700K
 30K = 3000K
 35K = 3500K
 40K = 4000K
 50K = 5000K

MG = MATTE GOLD
 WH = WHITE
 ABK = BLACK ON BLACK
 BK = BLACK
 C = CLEAR
 HZ = MATTE SILVER

