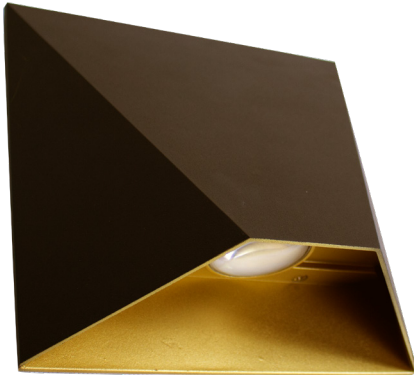


LRS SERIES Outdoor Lighting

LRS-O1-MCT-BR

5" DIE-CAST MODERN WALL SCONCES

MCT Multi Color Temperature (Selectable)



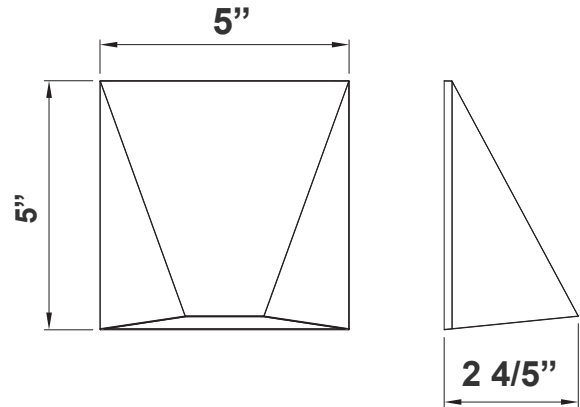
LED Outdoor Wall Lantern with aluminum housing & powder-coated finish, acrylic diffuser. Ideal for general site lighting, residential buildings, doorway, pathway and parking areas.

Customer Name: _____

Project Name: _____

Note: _____

Type: _____



5"(W) x 5"(H) x 2 4/5"(D)

Features

- Aluminum Housing and Steel Plate
- 4" Model O Die-Cast Modern Wall Sconces
- Powder-Coated Finish
- 7-Year Warranty
- Multi CCT Switch is Inside Fixture

Technical Specifications

Electrical:

- Voltage: 120V AC 60Hz
- Wattage: 6W
- Power Factor: >0.90
- Efficacy: 70 LPW

Mechanical:

- Aluminum Housing and Steel Plate
- Up Light Or Down Light
- Powder-Coated Finish
- Operating Temperature: -4°F to 104°F
- 7-Year Warranty
- Suitable For Wet Location

Lighting:

- Total Lumens: 420LM
- Color Temperatures: 3000K/4000K/5000K
- Color Rendering Index: CRI ≥ 80
- Beam Angle: 90° x 110°
- Rated Life: 70,000 Hrs

Applications:

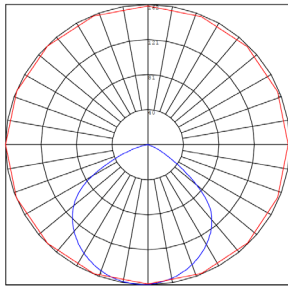
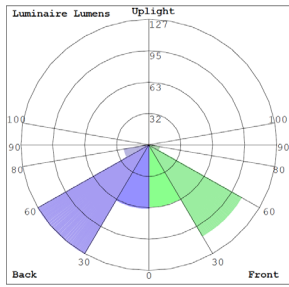
- LED Outdoor Wall Lantern with aluminum housing & powder-coated finish, acrylic diffuser. Ideal for general site lighting, residential buildings, doorway, pathway and parking areas.

Other Models:

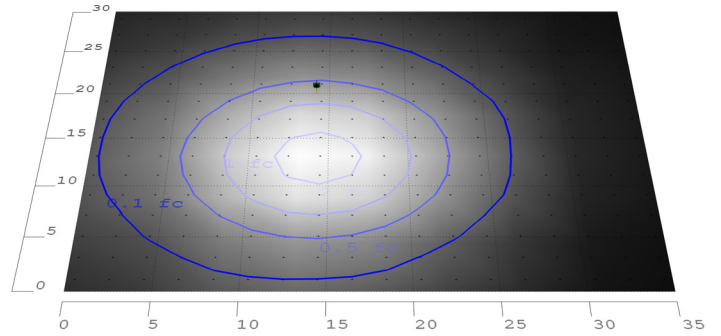
- 9W | 630LM | LRS-O2-MCT-BR
- 12W | 840LM | LRS-O3-MCT-BR



Photometrics: LRS-O1-MCT-BR



BUD Rating: B0-U1-G0



6W 5000K, Area 30'x 35' Mounting Height: 9'

Other Views:



Side View



Front View



Bottom View

Performance Table: LRS-O1-MCT-BR

MODEL NO.	Wattage	Voltage	Lumens	Color Temp.	BUG Rating	LPW
LRS-O1-MCT-BR	6W	120V	420LM	3000K 4000K 5000K	B0-U1-G0	70

Sample Ordering

Model **Size** **Color Temp.** **Housing**

LRS - O1 - MCT - BR

Other Model: LRS-O2-MCT-BR



Side View



Front View



Bottom View

