



Die cast aluminum wiring box with weatherproof gasket, ground screw, and two sturdy lugs for wall or ceiling mounting.

Color: Natural

Weight: 0.6 lbs

Project:

Type:

Prepared By:

Date:

## Technical Specifications

### Compliance

**UL Listed:**

Suitable for wet locations

### Construction

**Box Material:**

Precision die cast aluminum

**Gaskets:**

1/8" thick closed cell EPDM Foam for long lasting seal that won't crumple or break

**Screws:**

10-24 Stainless steel Round Head Phillips/slotted

**Ground Screw:**

# 10-24 Green corrosion protected steel slotted washer head screw provided in pre-tapped hole

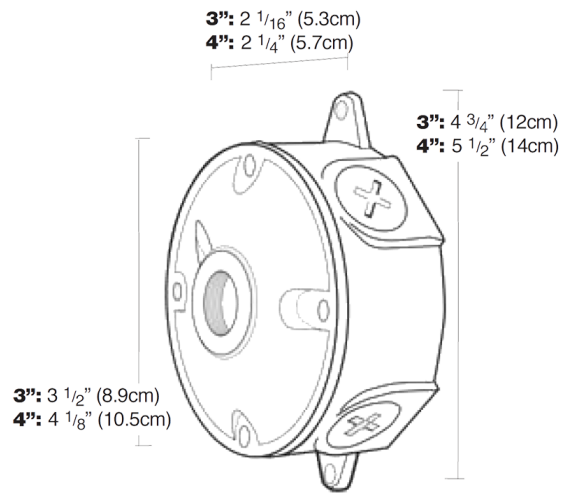
**Box Diameter:**

3"

**Side Holes:**

4 holes with 3/4" thread size

## Dimensions



## Features

- Stainless steel screws
- Green hex slotted washer head ground screw in pre-tapped hole
- Heavy die cast aluminum
- Close-up plugs allow Phillips or slotted screwdrivers for easy installation
- 1/8" thick weather seal gasket is closed cell foam rubber for long lasting seal that won't crumble or break