

LTRI SERIES

Commercial Lighting

WESTGATE
THE FUTURE IS HERE...AND IT'S QUITE BRIGHT!

LTRI-2X2-MCTP

G2 PREMIUM CENTER-LENS TROFFER
POWER AND CCT ADJUSTABLE

MCTP Multi Color Temperature &
Multi Power/Wattage (Selectable)



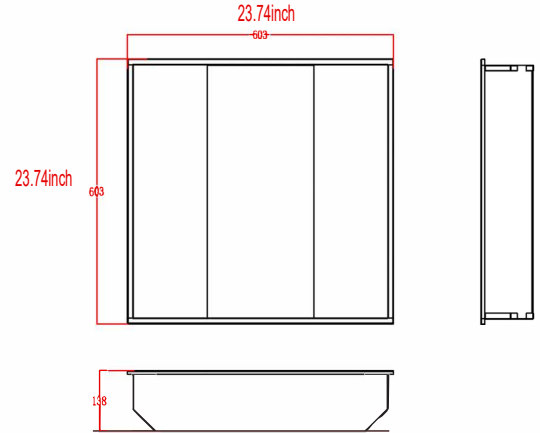
G2 Premium Center-Lens Troffer featuring adjustable power and CCT, offering flexible, energy-efficient lighting ideal for commercial and institutional applications.

Customer Name: _____

Project Name: _____

Note: _____

Type: _____



5.43inch

23.74"(L) x 23.74"(W) x 5.43"(H)

Features

- 5-Year Warranty
- White Finish
- Rated Life: 50,000 Hours
- Lens: Polycarbonate
- Multi CCT & Power (Selectable Switch On Back Of Fixture)

Technical Specifications

Electrical:

- Voltage: 120-277VAC 50/60Hz
- Wattage: 30W/40W/50W
- Power Factor: >0.97
- Efficacy: 110 LPW

Mechanical:

- White Finish
- Cold-Rolled Steel
- Earthquake Hooks Built Into The Housing
- Operating Temperature: -4°F ~ 122°F
- 5-Year Warranty

Lighting:

- Multi CCT & Power (Selectable Switch On Back Of Fixture)
- Dimmable: 0~10V Dimming
- LED Type: SMD 2835
- Total Lumens: 5500LM Max.
- Color Rendering Index: CRI ≥ 80
- Color Temperatures: 3000K/3500K/4000K/5000K
- Rated Life: 50,000 Hours

Applications:

- This LED Center Basket Troffer Light is ideal for Hotels, Offices, Retail Outlets, Restaurants, Storage

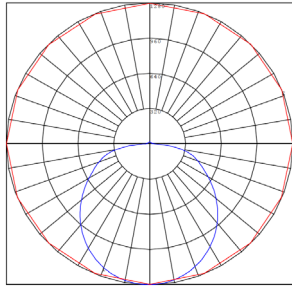
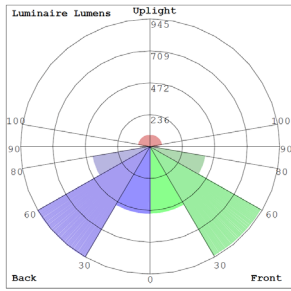


Phone: (877) 805-2252 | Fax: (877) 805-2252
www.westgatemfg.com |

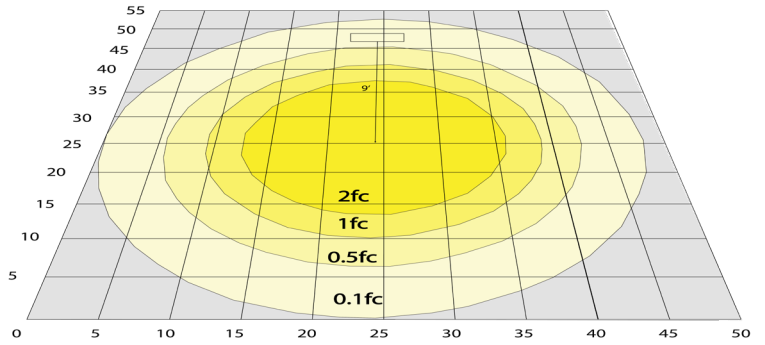


WG-10272022

Photometrics: LTRI-2X2-MCTP



BUG Rating: B1-U3-G1



Area 55'x 50' Mounting Height: 9'

Other Views:



Side View



Night View

Performance Table: LTRI-2X2-MCTP

MODEL NO.	Wattage	Voltage	Lumens	Color Temp.	BUG Rating	LPW
LTRI-2X2-MCTP	30W 40W 50W	120~277V	3300LM 4400LM 5500LM	3000K 3500K 4000K 5000K	B1-U3-G1	110

Sample Ordering

Model Size Watt/Color Temp.

LTRI - 2X2 - MCTP

Factory-Installed Options:

Blank = No Option For Accessories
 OPT-EM-LTRM = MOUNTED ON TOP
 OPT-FWH-6 = 6FT 3-WIRE WHIP
 OPT-FWH-65 = 6FT 5-WIRE WHIP
 OPT-FWH-66 = 6FT 6-WIRE WHIP
 OPT-SEN-2MDR-36 = PROGRAMMABLE MICROWAVE BI-LEVEL
 OPT-SEN-NLS-2MDR-36 = WG NETWORK SENSOR
 OPT-SEN-KEILTON-2MDR-36 = KEILTON NETWORK SENSOR

FACTORY-INSTALLED OPTIONS:



OPT-EM-LTRE



OPT-SEN-3MRLV-5



OPT-FWH-63
 OPT-FWH-65
 OPT-FWH-66

