



Bullhorn bracket safely supports HID floodlights. Great with Floodzilla, Megaflood and Flexflood models.

Color: Bronze

Weight: 10.7 lbs

Project:	Type:
Prepared By:	Date:

Technical Specifications

Construction

Finish:

Weather resistant polyester powder, bronze

Bullhorns:

1 Tenon for slip fitters. Right angle bracket. Bullhorns fit 2 3/8" (6cm) O.D. tenons and accommodate 2 3/8" (6cm) slip fitters. Steel tubing, .150" and .200" thick welded with (4) 3/8" bolts for securing to pole.

Slipfitters & Wall Brackets:

3/16" thick steel with 1/2" nuts and bolts

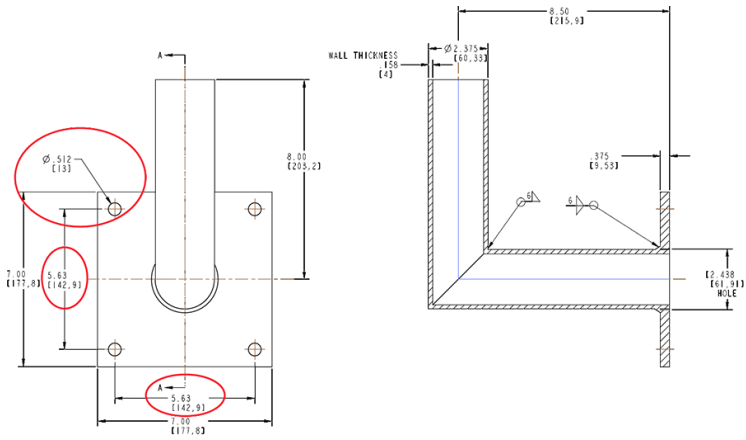
Maximum Weight:

90 lbs

EPA Maximum Capacity:

4.0 per arm

Dimensions



Features

- Easy, secure floodlight mounting
- Double Reinforced weld joints