



|                     |              |
|---------------------|--------------|
| <b>Project:</b>     | <b>Type:</b> |
| <b>Prepared By:</b> | <b>Date:</b> |

| Driver Info |                  | LED Info       |                  |
|-------------|------------------|----------------|------------------|
| Type        | Constant Current | Watts          | 100/80/60W       |
| 120V        | N/A              | Color Temp     | 3000/4000/5000K  |
| 208V        | N/A              | Color Accuracy | 81-83 CRI        |
| 240V        | N/A              | L70 Lifespan   | 100,000 Hours    |
| 277V        | N/A              | Lumens         | 9886-15965 lm    |
| Input Watts | 62.7-100.3W      | Efficacy       | 148.1-167.5 lm/W |

## Technical Specifications

### Field Adjustability

#### Field Adjustable:

Field Adjustable Light Output:  
100W/80W/60W (factory default 100W)  
Color temperature selectable by 3000K, 4000K and 5000K (factory default 4000K)

### Compliance

#### UL Listed:

Suitable for wet locations

#### IP Rating:

Ingress protection rating of IP65 for dust and water

#### IESNA LM-79 & LM-80 Testing:

RAB LED luminaires and LED components have been tested by an independent laboratory in accordance with IESNA LM-79 and LM-80.

#### DLC Listed:

This product family is listed with the DesignLights Consortium (DLC). Individual SKUs within this family may carry either a DLC Standard or DLC Premium qualification. Please refer to the individual product specification sheet or the DLC Qualified Products List (QPL) at [designlights.org](http://designlights.org) to confirm the qualification status of a specific SKU prior to specification or purchase.

### Construction

#### Cold Weather Starting:

The minimum starting temperature is -40°F (-40°C)

#### Maximum Ambient Temperature:

Suitable for use in up to 122°F (50°C)

#### Housing:

Die-cast aluminum

#### Lens:

Tempered glass

#### Gaskets:

High-temperature silicone

#### Finish:

Our environmentally friendly polyester powder coatings are formulated for high-durability and long-lasting color

#### Vibration Rating:

3G vibration rating per ANSI C136.31

#### Green Technology:

Mercury and UV free. RoHS-compliant components.

### Performance

#### Lifespan:

100,000-Hour LED lifespan based on IESIm-80 results and TM-21 calculations

### LED Characteristics

#### LEDs:

Long-life, high-efficacy, surface-mount LEDs

#### Color Uniformity:

RAB's range of Correlated Color Temperature follows the guidelines of the American National Standard for Specifications for the Chromaticity of Solid State Lighting (SSL) Products, ANSI C78.377-2017.

### Installation

#### Mounting:

Semi-recessed construction. Junction box with four (4) 1/2" NPS conduit openings.

### Optical

#### Bug Rating:

B3-U0-G3

### Electrical

#### Driver:

Constant Current, Class 1, 480V 50/60 Hz:  
100W: 480V: 0.21A  
80W: 480V: 0.18A  
60W: 480V: 0.14A

**Technical Specifications (continued)**

**Dimming Driver:**

Driver includes dimming control wiring for 0-10V dimming systems. Requires separate 0-10V DC dimming circuit. Dims down to 10%.

**Aux Power Supply:**

No

**Dim to Off:**

Yes

**Surge Protection:**

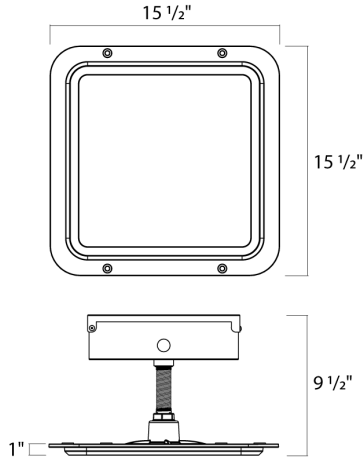
L-N: 6kV; L/N-PE: 6kV

**Other**

**5-Year, No-Compromise Warranty:**

RAB warrants that our LED products will be free from defects in materials and workmanship for a period of five (5) years from the date of delivery to the end user, including coverage of light output, color stability, driver performance and fixture finish. RAB's warranty is subject to all terms and conditions found at [rablighting.com/warranty](http://rablighting.com/warranty).

**Dimensions**



**Features**

- 100,000-Hour LED lifespan
- IP65 rating protects against dust and water
- UL wet location rated
- DLC Listed
- 5-Year, No-Compromise Warranty

**Ordering Matrix**

| Family | Size/Wattage  | Color Temp                             | Finish        | Driver  |
|--------|---|--|---------------|---|
| MASI   | 16L   |  |               | /480  |
|        | 16L = 16"x 16", 100/80/60W<br>16 = 16"x 16", 150/120/100W<br>20 = 20" x 20", 200/180/150W | Blank = 3000/4000/5000K CCT Adjustable | Blank = White | Blank = 120-277V, 0-10V Dimming<br>/480 = 480V, 0-10V Dimming |