



Project:	Type:
Prepared By:	Date:

Driver Info		LED Info	
Type	Constant Current	Watts	150/120/100W
120V	1.22A/0.98A/0.82A	Color Temp	3000/4000/5000K
208V	0.70A/0.57A/0.47A	Color Accuracy	81-83 CRI
240V	0.61A/0.49A/0.41A	L70 Lifespan	100,000 Hours
277V	0.53A/0.44A/0.38A	Lumens	15468-23442 lm
Input Watts	98.3-151.2W	Efficacy	142.1-167.5 lm/W

Technical Specifications

Field Adjustability

Field Adjustable:

Field Adjustable Light Output:
150W/120W/100W (factory default 150W)
Color temperature selectable by 3000K, 4000K and 5000K (factory default 4000K)

Compliance

UL Listed:

Suitable for wet locations

IP Rating:

Ingress protection rating of IP65 for dust and water

IESNA LM-79 & LM-80 Testing:

RAB LED luminaires and LED components have been tested by an independent laboratory in accordance with IESNA LM-79 and LM-80.

DLC Listed:

This product family is listed with the DesignLights Consortium (DLC). Individual SKUs within this family may carry either a DLC Standard or DLC Premium qualification. Please refer to the individual product specification sheet or the DLC Qualified Products List (QPL) at designlights.org to confirm the qualification status of a specific SKU prior to specification or purchase.

Construction

Cold Weather Starting:

The minimum starting temperature is -40°F (-40°C)

Maximum Ambient Temperature:

Suitable for use in up to 122°F (50°C)

Housing:

Die-cast aluminum

Lens:

Tempered glass

Gaskets:

High-temperature silicone

Finish:

Our environmentally friendly polyester powder coatings are formulated for high-durability and long-lasting color

Vibration Rating:

3G vibration rating per ANSI C136.31

Green Technology:

Mercury and UV free. RoHS-compliant components.

Performance

Lifespan:

100,000-Hour LED lifespan based on IESIm-80 results and TM-21 calculations

LED Characteristics

LEDs:

Long-life, high-efficacy, surface-mount LEDs

Color Uniformity:

RAB's range of Correlated Color Temperature follows the guidelines of the American National Standard for Specifications for the Chromaticity of Solid State Lighting (SSL) Products, ANSI C78.377-2017.

Installation

Mounting:

Semi-recessed construction. Junction box with four (4) 1/2" NPS conduit openings.

Optical

Bug Rating:

B3-U0-G3

Technical Specifications (continued)

Electrical

Driver:

Constant Current, Class 1, 120-277V 50/60 Hz:
 150W: 120V: 1.22A, 208V: 0.70A, 240V: 0.61A, 277V:
 0.53A
 120W: 120V: 0.98A, 208V: 0.57A, 240V: 0.49A, 277V:
 0.44A
 100W: 120V: 0.82A, 208V: 0.47A, 240V: 0.41A, 277V:
 0.38A

Dimming Driver:

Driver includes dimming control wiring for 0-10V dimming systems. Requires separate 0-10V DC dimming circuit. Dims down to 10%.

Aux Power Supply:

No

Dim to Off:

Yes

Surge Protection:

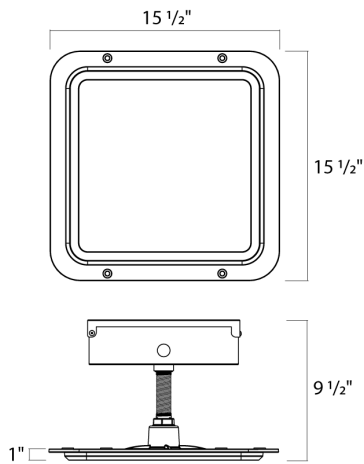
L-N: 6kV; L/N-PE: 6kV

Other

5-Year, No-Compromise Warranty:

RAB warrants that our LED products will be free from defects in materials and workmanship for a period of five (5) years from the date of delivery to the end user, including coverage of light output, color stability, driver performance and fixture finish. RAB's warranty is subject to all terms and conditions found at rablighting.com/warranty.

Dimensions



Features

- 100,000-Hour LED lifespan
- IP65 rating protects against dust and water
- UL wet location rated
- DLC Listed
- 5-Year, No-Compromise Warranty

Ordering Matrix

Family	Size/Wattage	Color Temp	Finish	Driver
MASI	16			
	16L = 16"x 16", 100/80/60W 16 = 16"x 16", 150/120/100W 20 = 20" x 20", 200/180/150W	Blank = 3000/4000/5000K CCT Adjustable	Blank = White	Blank = 120-277V, 0-10V Dimming /480 = 480V, 0-10V Dimming