



Project:

Type:

Prepared By:

Date:

Die cast aluminum caps for replacement or making Do-It-Yourself Mighty Posts. MMCAP2 fits standard 2" pipe (2 3/8" outer diameter), MMCAP3 fits standard 2.5" pipe (2 7/8" outer diameter). Has a bare copper ground wire. Cut the pipe yourself and save!

Color: Verde green

Weight: 0.6 lbs

Technical Specifications

Compliance

UL Listed:

Suitable for wet locations. Fixtures with ground wire must be used.

Trade Agreements Act Compliant:

This product is a product of Cambodia and a "designated country" end product that complies with the Trade Agreements Act

Construction

Post Materials:

UL Schedule 40 PVC pipe

Set Screw:

Locks cap to post and prevents rotation

Fits Pipe:

2.5".

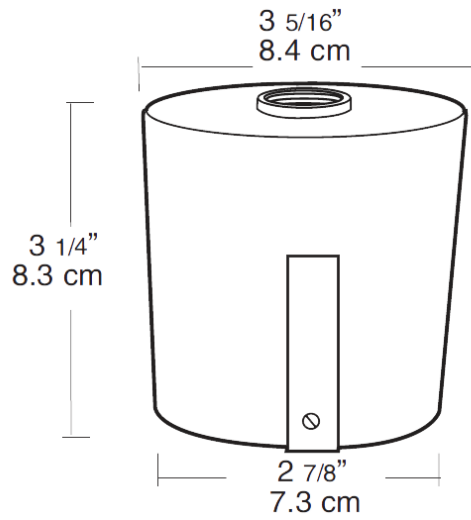
Pipe O.D.:

2 7/8

Material:

ABS

Dimensions



Features

- Set screw locks cap to post
- 1/2" threaded hole fits standard floodlights & lawn lights
- Internal seal provides weatherproof fit
- Can be used with Post Adapter an option that lets you add outlets and sensors