



17" PVC mounting post for lighter weight ground mounted landscape lighting. Post is 2" pipe (2 3/8" O.D.) for cleaner look. In-ground stabilizing grid included.

Color: Bronze

Weight: 1.5 lbs

Project:

Type:

Prepared By:

Date:

## Technical Specifications

### Compliance

#### UL Listed:

Suitable for wet locations. Fixtures with ground wire must be used.

#### Trade Agreements Act Compliant:

This product is a product of Cambodia and a "designated country" end product that complies with the Trade Agreements Act

### Construction

#### Post Materials:

UL Schedule 40 PVC pipe

#### Set Screw:

Locks cap to post and prevents rotation

#### Cap:

PVC

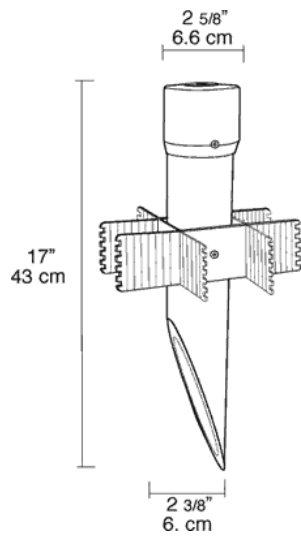
### Other

#### Note:

H101 is not compatible with MP17 or MP19

#### Patents:

Pat. D424,524.

**Dimensions****Features**

Cleanly styled molded PVC cap

Rugged extruded PVC pipe

Sturdy "Ground Grabber" stabilizer with teeth and ribs for maximum stability

Also available a 19" PVC post and an extra rugged Die cast aluminum cap for heavier HID floods

Rounded edges protect wires

1/2" threaded hole fits standard floodlights & lawn lights

Post Adapter lets you add outlets and sensors