

<b>Project:</b>	<b>Type:</b>	<b>Prepared By:</b>	<b>Date:</b>
-----------------	--------------	---------------------	--------------



**Features and Benefits**

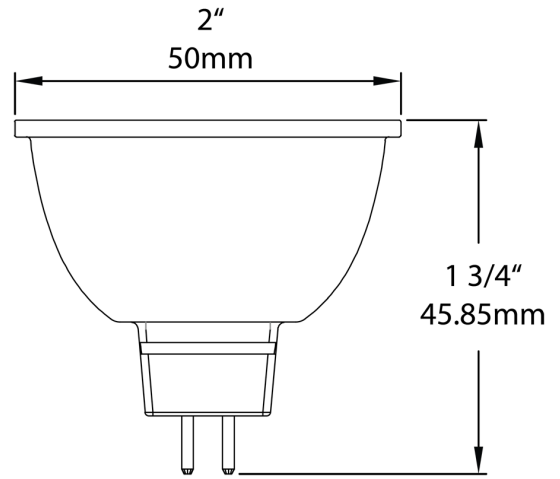
- Produces rich and vibrant colors >90CRI
- Energy efficient replacement for incandescent and halogen Small diameter reflectors
- Constructed from durable materials which lowers risk of breakage
- Rated for use in enclosed and open fixtures in dry or damp locations
- Single optic and full face lens for precise beam angle control
- Longer lifespan compared to legacy equivalents minimizes replacement and maintenance costs
- Title 20 Compliant, ENERGY STAR Compliant, UL Listed
- Compatible with low voltage transformers (check compatibility list)

Technical Specifications		
<p><b>Performance</b></p> <p><b>Product Type:</b> Small-Reflector</p> <p><b>Input Wattage:</b> 5W</p> <p><b>Wattage Equivalency:</b> 35W Halogen</p> <p><b>Lumens:</b> 400lm</p> <p><b>Efficacy:</b> 80lm/W</p> <p><b>L70 Lifespan:</b> 25,000 Hours</p> <p><b>Construction</b></p> <p><b>Bulb Shape:</b> MR16</p> <p><b>For Use Outdoors in Open Fixtures:</b> No</p>	<p><b>LED Characteristics</b></p> <p><b>Color Temperature:</b> 2700K Soft White</p> <p><b>Color Accuracy (CRI):</b> ≥90</p> <p><b>Beam Angle:</b> 15°</p> <p><b>Installation</b></p> <p><b>Base Type:</b> GU5.3</p> <p><b>Electrical</b></p> <p><b>Power Factor:</b> &gt;0.9</p> <p><b>Operating Temperature:</b> -20°C to 45°C (-4°F to 113°F)</p> <p><b>Dimmable:</b> Yes</p> <p><b>Input Voltage:</b> 12V</p>	<p><b>Flicker:</b> ≤30%</p> <p><b>Other</b></p> <p><b>Warranty:</b> RAB warrants that our LED products will be free from defects in materials and workmanship for a period of five (5) years from the date of delivery to the end user, including coverage of light output, color stability, driver performance and fixture finish. RAB's warranty is subject to all terms and conditions found at <a href="http://rablighting.com/warranty">rablighting.com/warranty</a>.</p> <p><b>Compliance</b></p> <p><b>UL Listed:</b> Yes</p> <p><b>California Energy Commission (CEC) Status:</b> Lawful for Sales in California</p>

**Case and Pallet Dimensions**

	QTY	LENGTH (in)	WIDTH (in)	HEIGHT (in)
CASE	12	8.74	6.61	2
PALLET	5760	44.49	40.47	45.35

**Dimension**



**Light Distribution**

