



Color: White

Weight: 2.9 lbs

<b>Project:</b>	<b>Type:</b>
<b>Prepared By:</b>	<b>Date:</b>

Driver Info		LED Info	
Type	Constant Current, Class A	Watts	30/24/18W
120V	0.25A/0.20A/0.15A	Color Temp	2700K/3000K/3500K/4000K/5000K
208V	0.14A/0.11A/0.09A	Color Accuracy	93-95 CRI
240V	0.12A/0.10A/0.07A	L70 Lifespan	50,000 Hours
277V	0.11A/0.09A/0.07A	Lumens	1724-2901 lm
Input Watts	17.6-29.3W	Efficacy	87.7-109.7 lm/W

## Technical Specifications

### Performance

#### Product Type:

Modular Commercial Downlight

#### Description:

Modular commercial downlights with field-adjustable wattage, CCT, and optics. Select from various interchangeable modules, trims, and accessories.

#### Input Wattage:

30/24/18W

#### Lumens:

2,800/2,400/1,900lm

#### Efficacy:

90/90/105.5

#### L70 Lifespan:

50,000-Hour LED lifespan based on IES LM-70 results

### Electrical

#### Driver:

Constant Current, Class A, 50/60 Hz, 120V-277V, 120V: 0.35A, 277V: 0.17A

#### THD:

≤20%

#### Power Factor:

≥0.9/120V  
≥0.7/277V

#### Dimmable:

Yes, dimmable down to 10% on compatible TRIAC/ELV on 120V and 0-10V on 120-277V dimming systems. See Dimmer Compatibility List.

#### Controls:

12V Aux for Lightcloud Blue compatibility

#### Input Voltage:

120-277V

#### Operating Frequency:

50/60Hz

#### Input Current @ 120V (mA):

252mA

#### Input Current @ 208V (mA):

145mA

#### Input Current @ 240V (mA):

126mA

#### Input Current @ 277V (mA):

110mA

#### Operating Temperature:

-4°F to 104°F (-20 to 40°C)

#### Flicker:

≤30%

#### Emergency Back up:

Field-installable emergency backup available

### LED Characteristics

#### Beam Angle:

Adjustable 25° to 45° beam angle via rotating lens assembly

#### Color Temperature:

Field-adjustable via dip switch  
2700/3000/3500/4000/5000K

#### Factory Setting:

4000K

#### Color Accuracy (CRI):

90 CRI

#### R9 Value:

High color performance with R9 greater than 50

#### Color Consistency:

<4-step MacAdam Ellipse binning to achieve consistent fixture-to-fixture color

## Technical Specifications (continued)

### Color Stability:

LED color temperature is warranted to shift no more than 200K in color temperature over a 5-year period

### Color Uniformity:

RAB's range of Correlated Color Temperature follows the guidelines of the American National Standard for Specifications for the Chromaticity of Solid State Lighting (SSL) Products, ANSI C78.377-2017.

## Installation

### Set Up:

Step 1: Choose the light engine  
 Step 2: Choose the trim style  
 Step 3: (Optional) choose a new construction housing  
 Step 4: (Optional) choose an EM battery or Lightcloud Blue Controller

### Mounting:

Can be used in retrofit, remodel or new construction installations. Can accommodate up to 2" ceiling thickness

## Construction

### Cut Out Size:

6.5"

### Trim Size:

6"

### Trim Reflector:

Smooth reflector constructed from anodized aluminum with powder coated paint finish

### Trim Finish:

White Flange and White Reflector

### Lens:

Curved decorative diffuser

## Compliance

### Listings:

UL Listed, UL Classified

### Environment:

Suitable for use indoors and outdoors in dry, damp, or wet environments.

### IC Rated:

No

### Air Tight:

Housing certified Air Tight as per ASTM-E283

### Energy Star Approved:

This product is ENERGY STAR® Version 1.0 Certified.

### Energy Star ID:

3554283

### California Title 20 Compliant:

No

### California Title 24 JA8 Compliant:

Can be used to conform with the requirements of California Title 24 Part 6

### California Energy Commission (CEC) Status:

Lawful for Sales in California

### IESNA LM-79 & LM-80 Testing:

RAB LED luminaires and LED components have been tested by an independent laboratory in accordance with IESNA LM-79 and LM-80.

### RoHS:

Mercury and UV free. RoHS-compliant components.

### FCC:

Complies with Part 15 of the FCC Rules

### Trade Agreements Act Compliant:

This product is a product of Cambodia and a "designated country" end product that complies with the Trade Agreements Act

## Other

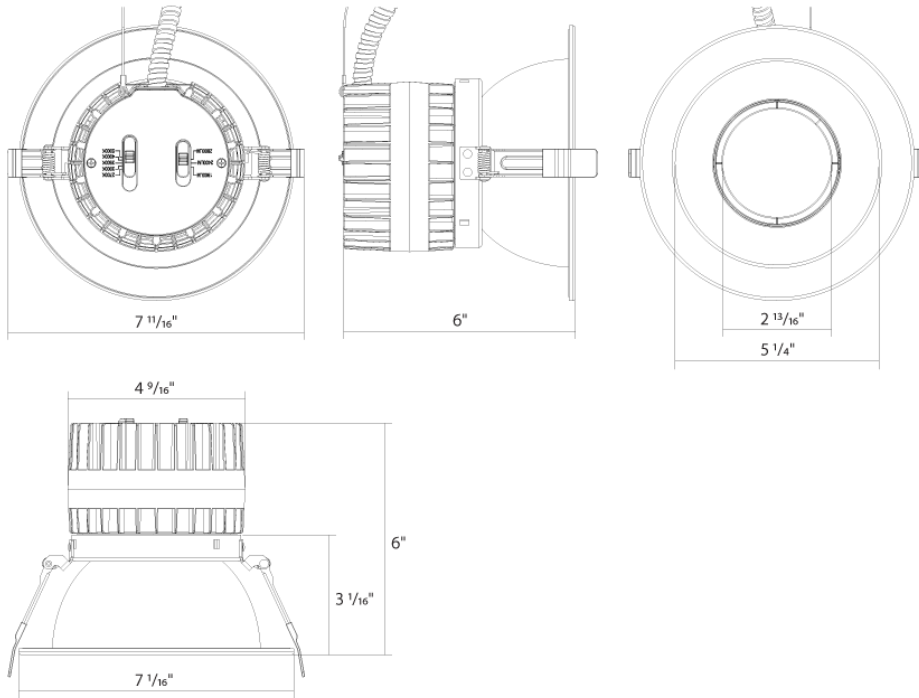
### Compatible Accessories:

Emergency back up driver EMB-9, EMB-15, EMB-25

### 5-Year, No-Compromise Warranty:

RAB warrants that our LED products will be free from defects in materials and workmanship for a period of five (5) years from the date of delivery to the end user, including coverage of light output, color stability, driver performance and fixture finish. RAB's warranty is subject to all terms and conditions found at [rablighting.com/warranty](http://rablighting.com/warranty).

Dimensions



Ordering Matrix

Family	Wattage/Lumens	CRI/Color Temp	Beam Angle	Driver	Factory Installed Trim
ND22	30				6HRW
	12 = 12/9/7W, 1000/750/600lm 20 = 20/16/12W, 1800/1500/1150lm 30 = 30/24/18W, 2800/2400/1900lm 50 = 50/40/30W, 4500/3800/2900lm	Blank = 90 CRI, 2700/3000/3500/4000/5000K CCT Adjustable	Blank = 25° to 45° Adjustable Blank = 30° to 50° Adjustable	Blank = 120-277V; 0-10V & TRIAC Dimming	3RW = 3" Round White 4HRW = 4" Round White 6HRW = 6" Round White 8RW = 8" Round White