



Weight: 1.8 lbs

<b>Project:</b>	<b>Type:</b>
<b>Prepared By:</b>	<b>Date:</b>

## Technical Specifications

### Compliance

**UL Listed:**

Suitable for wet locations in a covered ceiling

**Air Tight:**

Airtight per ASTM-E283-04

### Construction

**IC Rated:**

Suitable for direct contact with insulation

**Housing:**

Precision die-cast aluminum

**New Construction:**

Nailer bars are provided for use with wood joist or T-bar grid installations

**Green Technology:**

Mercury and UV free. RoHS-compliant components.

**Finish:**

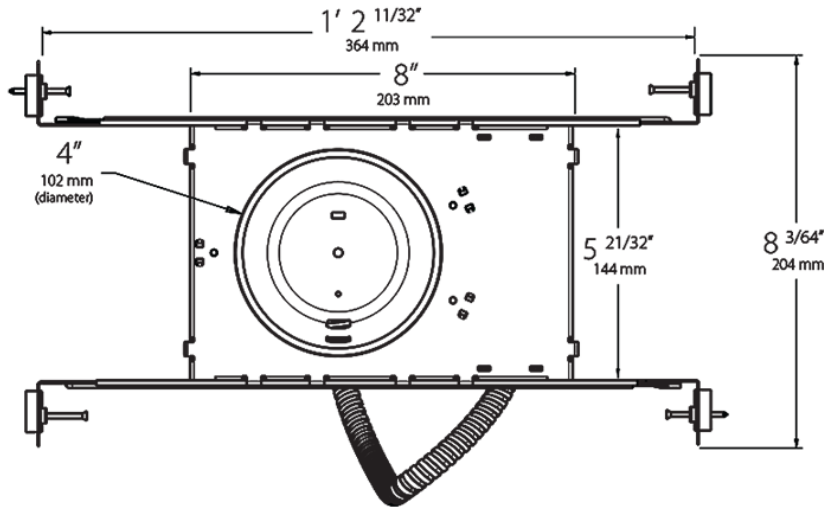
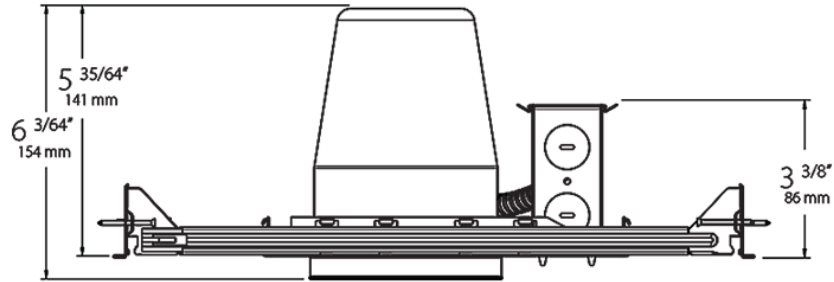
Formulated for high durability and long-lasting color

### Other

**Warranty:**

RAB warrants that our LED products will be free from defects in materials and workmanship for a period of five (5) years from the date of delivery to the end user, including coverage of light output, color stability, driver performance and fixture finish. RAB's warranty is subject to all terms and conditions found at [rablighting.com/warranty](http://rablighting.com/warranty).

## Dimensions



## Ordering Matrix

Family	Size	Shape	Housing
NDCANIC	4	R	

4 = 4"    R = Round    NDCANIC = New Construction  
 6 = 6"    RDCANIC = Remodeler