

NIO-2RTLA

2" Iolite Round Trimless Adjustable Reflector

Source: 14W LED

800lm or 1000lm

Type

Project

Catalog No.

Notes

PRODUCT DESCRIPTION

2" Trimless Iolite reflectors have no exposed trim flange and do not extend beyond the ceiling plane. Iolite Trimless requires a Trimless Mud Ring and New Construction housing. Regressed cone reflector optimizes visual cut-off and adjust up to 15°.

FEATURES

- Trimless knife edge appearance
- 800lm or 1000lm LED packages
- Comfort Dim (warm dimming) also available in 800lm only
- 2700K, 3000K, 3500K, 4000K or 5000K @ 90+ CRI
- Flood optic, narrow flood and spot optics (included)
- 5-Year limited warranty

SPECIFICATION

Construction: Trimless reflectors are constructed of heat dissipating, die-cast aluminum. The aluminum die-cast LED heat sink is threaded to fit the reflector and transfer heat.

Mounting: Reflector includes friction blades to mount securely to trimless mud ring. A trimless mud ring is required per reflector.

Field Changeable Optics: Each reflector includes field changeable optics (25° spot, 38° narrow flood and 60° flood - installed). Premium 15° and 25° TIR optics are also available.

ELECTRICAL

Lumens / Wattage: 800lm / 14W or 1000lm / 14W

Color Temperature: 2700K, 3000K, 3500K, 4000K, 5000K

CRI: 90+CRI

Operating Temp.: Specified by housing

Lifetime: 50,000 hours @ L70

Comfort Dim: Comfort Dim color tunes the temperature from a bright 3100K, to a romantic and comfortable 2000K on a gradual, even curve. Available in 800lm only.

Dimming: Specified by housing

COMPATIBLE HOUSINGS

Reflectors are compatible with respective Iolite housings manufactured by Nora Lighting.

CATALOG NO.	DESCRIPTION	LUMENS / WATTAGE
NHIOICD-28	ICAT New Construction	800-1000lm / 14W
NHIOICDCP-28	Chicago Plenum	800-1000lm / 14W

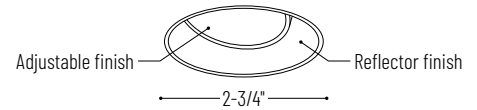
Accessories: Reflectors will accommodate (1) hex louver and (1) translucent deco collar or opaque snoot, no accessory holder is required, see accessories page. A trimless mud ring is required per reflector.

LABELS AND LISTINGS

- cULus Listed for Damp Locations
- ENERGY STAR certified
- [5-Year Limited Warranty](#)
- RoHS Compliant
- Certified to the high efficacy requirements of California Title 24 JA8-2019



PRODUCT IMAGES AND DIMENSIONS



NIO-2RTLA
Round Trimless Adjustable
15° Adjustable



BB
Black Adjustable
Black Reflector



BW
Black Adjustable
White Reflector



BZ
Bronze Adjustable
Bronze Reflector



CH
Champagne Haze Adjustable
Champagne Haze Reflector



CHMPW
Champagne Haze Adjustable
Matte Powder White Reflector



HW
Haze Adjustable
White Reflector



HZ
Haze Adjustable
Haze Reflector



HZMPW
Haze Adjustable
Matte Powder White Reflector



MPW
Matte Powder White Adjustable
Matte Powder White Reflector



WW
White Adjustable
White Reflector

2" Iolite Round Trimless Adjustable Reflector - New Construction Housing & Trimless Mud Ring Required

Reflector Type	Color Temp.	Finish	Lumens / Wattage
NIO-2RTLA = Round Trimless Adjustable	50X = 5000K*	BB = Black	(blank) = 800lm / 14W
	CDX = Comfort Dim†	BW = Black / White	
	27X = 2700K	BZ = Bronze	/10 = 1000lm / 14W
	30X = 3000K	CH = Champagne Haze	
	35X = 3500K	CHMPW = Champagne Haze / Matte Powder White	
	40X = 4000K	HW = Haze / White	
	50X = 5000K	HZ = Haze	
		HZMPW = Haze / Matte Powder White	
		MPW = Matte Powder White	
		WW = White	

* 5000K LED modules in 800lm are while supplies last

† Comfort Dim available in 800lm only and 1" Iolite uses a different dimming curve than 2" & 4" Iolite

Compatible Housings

Housing Type
NHIOICD-28 = ICAT New Construction / 800-1000lm / 14W
NHIOICDCP-28 = Chicago Plenum / 800-1000lm / 14W

2" Iolite Trimless Mud Ring

Description
NIO-TLMR-2R = 2" Round Trimless Mud Ring

Example: **NIO-2RTLA50XWW / NIO-TLMR-2R** = 2" Iolite Round Trimless Adjustable Reflector, 5000K, White finish, 800lm / 2" Round Trimless Mud Ring

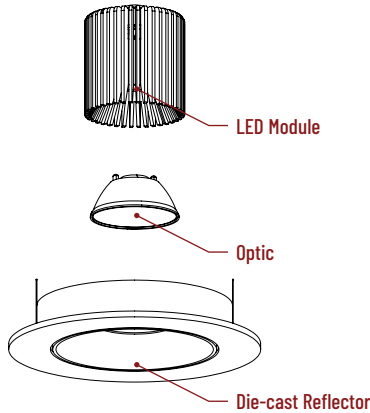
2" Iolite Accessories

2" Iolite Round Trimless Adjustable Reflector

Type
Project
Catalog No.
Notes

FIELD CHANGEABLE OPTICS

Iolite reflectors include 25°, 38° and 60° optics. Optics can be changed in the field by removing LED module from die-cast reflector. Replacement optics include an optional frosted lens.



Frosted Filter-Optic

NIO-REFL15FR	15° Optic
NIO-REFL25FR	25° Optic
NIO-REFL38FR	38° Optic
NIO-REFL60FR	60° Optic

Optic assembly includes optional frosted lens. 25°, 38° and 60° optics are included with each reflector.



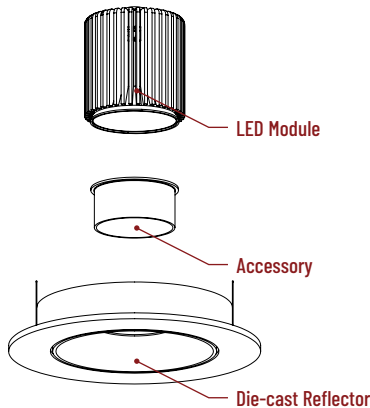
Premium TIR Optics

NIO-REFLTIR15	15° Optic
NIO-REFLTIR25	25° Optic

TIR optics are not compatible with Comfort Dim technology.

ACCESSORIES

Iolite accessories can be added at any point in the design process. Accessories easily install between LED module and die-cast reflector. Luminaire will accommodate (1) hex lower and (1) collar accessory, no accessory holder required.



Translucent Decorative Collar

NIO-AS14(color)	5/8" length
NIO-AS19(color)	3/4" length
NIO-AS26(color)	1" length
Color:	
AM (amber), BLU (blue), FR (frosted), R (red)	

Translucent collars color the aperture with the specified color while producing white general light. Collars are available in different lengths. Use to add interest, create a theme, match a theme or define a space.



Opaque Collar Snoot

NIO-AS14(color)	5/8" length
NIO-AS19(color)	3/4" length
NIO-AS26(color)	1" length
Color:	
BLK (black), MPW (matte powder white), WH (white)	

Opaque snoot greatly reduces aperture brightness while preserving light output. (Note: Black snoot will reduce light)



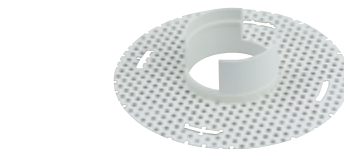
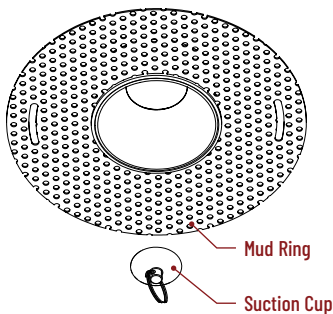
Hex Cell Louver

NIO-HC	Black
--------	-------

Hex cell louver subtly reduces aperture brightness by reducing light output by about 20%.

TRIMLESS

2" Iolite trimless reflectors have no exposed trim flange and the result is a minimalist knife edge appearance. A trimless mount mud ring is installed after the drywall and a professional drywall finisher floats the ceiling to blend in the mud ring.



Trimless Mount Mud Ring

NIO-TLMR-2R

Mounts trimless reflector with no exposed flange and no extension beyond ceiling plane. Mud ring attaches to drywall. **Only for use with NH10ICD-28 or NH10ICDCP-28 new construction housings and NIO-2R reflectors.**
Dimensions: 7-7/8" diameter 1/2" thick



Suction Cup for Removal

NIO-TLSUCTION

Assist removing trimless reflector from finished ceiling after installation. For maintenance on trimless reflector.