

# NIOC-4RPH

4" Iolite Can-less Round Pinhole

Source: 12W LED  
950lm

Type

Project

Catalog No.

Notes

## PRODUCT DESCRIPTION

4" Iolite can-less downlights can be installed in new construction or remodel applications. Fixed pinhole trims focuses the beam spread through a small opening.

## FEATURES

- No housing required - IC Air-Tight rated
- Easy installation for remodel or new construction applications
- Variety of trim accessories to configure desired appearance
- Quick disconnect allows for extended lengths
- Dedicated CCT or Comfort Dim (warm dim)
- Flood optic, narrow flood and spot optics (included)
- 5-Year limited warranty
- ENERGY STAR certified
- cULus Listed for Wet Locations

## SPECIFICATION

**Construction:** Trims are constructed of heat dissipating, die-cast aluminum. Aluminum die-cast LED module is threaded to fit the trim and transfer heat.

**Air Flow Restriction:** Luminaire has factory installed gasket to restrict airflow from room into ceiling plenum to <2CFM (cubic feet per minute) in accordance with ASTM-283 Air-Tight requirements.

**Clearance:** IC rated luminaires are rated for direct contact with insulation (not spray foam insulation), no minimum clearance is required.

**Driver Box:** Prewired junction box includes 7" quick connect wire to LED module for ease of installation. Junction box includes two 1/2" trade size knockouts and snap on cover.

**Mounting:** No housing is required, two tensions steel spring clips secure luminaire to ceiling. Accommodates ceiling thickness up to 3/4". New construction frame-in kit is available, see accessories.

## OPTICS

Each module includes field changeable optics (spot, narrow flood and flood - preinstalled).

## ELECTRICAL

**Input Voltage:** 120VAC

**Lumens / Wattage:** 950lm / 12W

**Color Temperature:** 2700K, 3000K, 3500K or 4000K

**Color Rendering Index:** 90+CRI

**Operating Temperature:** 0°-30°C

**Lifetime:** 50,000 hours @ L70

**Comfort Dim:** Comfort Dim color tunes the temperature from a bright 3100K, to a romantic and comfortable 2000K on a gradual, even curve. Available in 750lm only.

**Dimming:** Triac or ELV

**Accessories:** Luminaire will accommodate (1) hex louver and (1) translucent deco collar or opaque snoot, no accessory holder is required, see accessories page.

## LABELS AND LISTINGS

- cULus Listed for Wet Locations
- ENERGY STAR certified
- [5-Year Limited Warranty](#)
- RoHS Compliant
- Certified to the high efficacy requirements of California Title 24 JA8-2022

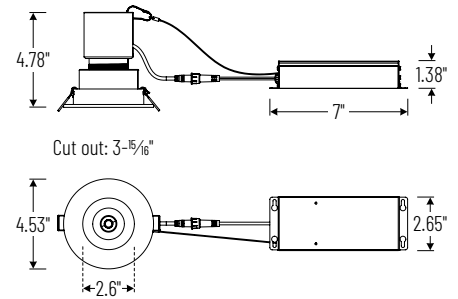


## Performance Data

Part Number	Lumens	CCT	Optic
<b>NIOC-4RPH40XMPW</b>	983lm	4000K	Spot
<b>NIOC-4RPH40XMPW</b>	967lm	4000K	Narrow
<b>NIOC-4RPH40XMPW</b>	933lm	4000K	Flood

Delivered lumens will vary depending on CCT, optic and finish

## PRODUCT IMAGES & DIMENSIONS



## 4" Iolite Can-less Round Pinhole Trim



**HZMPW**  
Haze Pinhole /  
Matte Powder White Flange



**MPW**  
Matte Powder White  
Pinhole & Flange

Item Number

**NIOC-4RPHHZMPW** = Haze Pinhole & Matte Powder White Flange  
**NIOC-4RPHMPW** = Matte Powder White Pinhole & Flange

## 2" & 4" Iolite Can-less LED Module



Color Temperature

**NIOC-24LED927X** = 2700K  
**NIOC-24LED930X** = 3000K  
**NIOC-24LED935X** = 3500K  
**NIOC-24LED940X** = 4000K  
**NIOC-24LED9CDX** = Comfort Dim (3100K-2000K)

## Driver Box



Wattage

**NJCB-12** = 12W / 120VAC input / Triac or ELV dimming

Example: **NIOC-4RPHMPW / NIOC-24LED930X / NJCB-12** = 4" Iolite Can-less Pinhole Trim, Matte Powder White finish, 3000K LED Module, 12W Driver Box with 120VAC input; Triac or ELV dimming

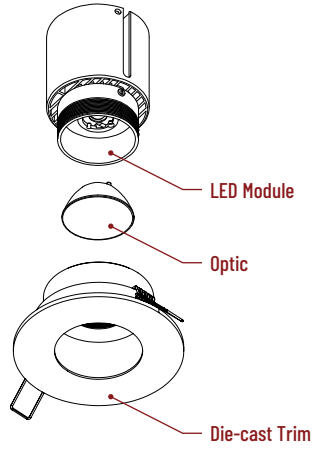
# Iolite Can-less Accessories

## 4" Iolite Can-less Round Pinhole

Type
Project
Catalog No.
Notes

### FIELD CHANGEABLE OPTICS

Iolite luminaires include spot, narrow flood and flood optics. Optics can be changed in the field by removing LED module from die-cast trim. Optional frosted and TIR optics are also available.



Frosted Optics

**NIO-REFL38FR**  
**NIO-REFL60FR**

60° Optic  
73° Optic



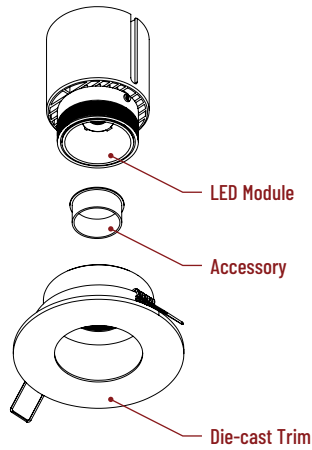
Premium TIR Optics

**NIO-REFLTIR15**  
**NIO-REFLTIR25**

22° Optic  
26° Optic

### TRIM ACCESSORIES

Iolite accessories can be added at any point in the design process. Accessories easily install between LED module and die-cast trim. Luminaire will accommodate (1) hex louver and (1) collar accessory, no accessory holder required.



Translucent Decorative Collar

**NIO-AS14(color)** 5/8" length  
**NIO-AS19(color)** 3/4" length  
**NIO-AS26(color)** 1" length  
**Color:**  
AM (amber), BLU (blue), FR (frosted), R (red)

Translucent collars color the aperture with the specified color while producing white general light. Collars are available in different lengths. Use to add interest, create a theme, match a theme or define a space.



Opaque Collar Snoot

**NIO-AS14(color)** 5/8" length  
**NIO-AS19(color)** 3/4" length  
**NIO-AS26(color)** 1" length  
**Color:**  
BLK (black), MPW (matte powder white), WH (white)

Opaque snoot greatly reduces aperture brightness while preserving light output. (Note: Black snoot will reduce light)



Hex Cell Louver

**NIO-HC** Black  
Hex cell louver subtly reduces aperture brightness by reducing light output by about 20%.

### MOUNTING ACCESSORIES

Iolite canless luminaires are ready to be installed out of the box. Additional mounting accessories can be used to assist during installation or extend length between driver box and luminaire.



Quick Connect Extension Cables

**NCA-EW-4** 4" Cable  
**NCA-EW-10** 10" Cable

Use to extend the length between luminaire and driver box. Can be connected together to create custom lengths. Maximum length between luminaire and driver is 40'.



New Construction Frame-In

**NF-R124**

Universal new construction frame-in can be used to assist installing can-less recessed downlighting.

# PHOTOMETRICS

## 4" Iolite Can-less Round Pinhole

Type

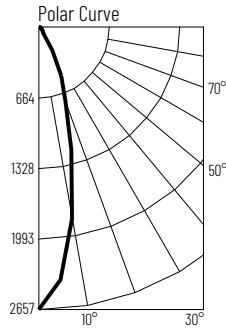
Project

Catalog No.

Notes

### Test Information

Test Number: NTR2092R1  
 Part Number: NIOC-4RPH40XMPW  
 Beam Spread: 28° Spot  
 Lumens: 983lm  
 Wattage: 11.81W  
 Efficacy: 83lpw  
 CCT / CRI: 4000K / 90 CRI  
 Spacing Criteria (0°-180°): 0.48  
 Spacing Criteria (90°-270°): 0.48



### Illuminance at a Distance

Distance from Luminaire	FC at Nadir	Beam Diameter
4'	166fc	2'-0"
6'	73.8fc	3'-0"
8'	41.5fc	3'-11"
10'	26.6fc	4'-11"
12'	18.5fc	5'-11"

### Zonal Lumen Summary

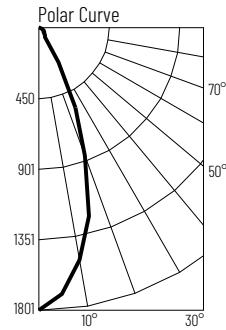
Zone	Lumens	% Luminaire
0-30	772	78.6
0-40	844	85.9
0-60	922	93.8
0-90	983	100
90-180	0	0
0-180	983	100

### Candela Table

Vertical Angles	Candela
0	2657
5	2385
15	1192
25	501
35	78
45	54

### Test Information

Test Number: NTR2093R1  
 Part Number: NIOC-4RPH40XMPW  
 Beam Spread: 39° Narrow Flood  
 Lumens: 967lm  
 Wattage: 11.82W  
 Efficacy: 82lpw  
 CCT / CRI: 4000K / 90 CRI  
 Spacing Criteria (0°-180°): 0.64  
 Spacing Criteria (90°-270°): 0.64



### Illuminance at a Distance

Distance from Luminaire	FC at Nadir	Beam Diameter
4'	113fc	2'-10"
6'	50.0fc	4'-4"
8'	28.1fc	5'-8"
10'	18.0fc	7'-1"
12'	12.5fc	8'-6"

### Zonal Lumen Summary

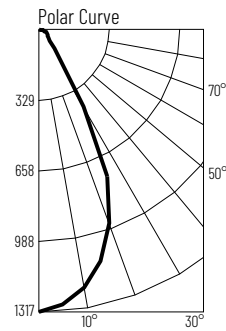
Zone	Lumens	% Luminaire
0-30	748	77.4
0-40	822	85.0
0-60	901	93.2
0-90	967	100
90-180	0	0
0-180	967	100

### Candela Table

Vertical Angles	Candela
0	1801
5	1705
15	1244
25	559
35	75
45	54

### Test Information

Test Number: NTR2094R1  
 Part Number: NIOC-4RPH40XMPW  
 Beam Spread: 53° Flood  
 Lumens: 933lm  
 Wattage: 11.83W  
 Efficacy: 79lpw  
 CCT / CRI: 4000K / 90 CRI  
 Spacing Criteria (0°-180°): 0.86  
 Spacing Criteria (90°-270°): 0.86



### Illuminance at a Distance

Distance from Luminaire	FC at Nadir	Beam Diameter
4'	69.9fc	4'-0"
6'	31.1fc	6'-0"
8'	17.5fc	8'-0"
10'	11.2fc	10'-0"
12'	7.77fc	12'-0"

### Zonal Lumen Summary

Zone	Lumens	% Luminaire
0-30	646	69.2
0-40	766	82.2
0-60	860	92.2
0-90	933	100
90-180	0	0
0-180	933	100

### Candela Table

Vertical Angles	Candela
0	1118
5	1093
15	949
25	641
35	163
45	63

### Lumen Output Multipliers

Color Temperature: 2700K (0.86), 3000K (0.91), 3500K (0.94), 4000K (1.00)