

Project:	Type:	Prepared By:	Date:
-----------------	--------------	---------------------	--------------



Features and Benefits

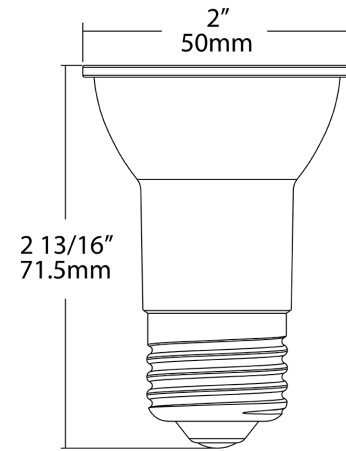
- Energy efficient replacement for incandescent and halogen Small diameter reflectors
- Constructed from durable materials which lowers risk of breakage
- Rated for use in enclosed and open fixtures in dry or damp locations
- Single optic and full face lens for precise beam angle control
- Longer lifespan compared to legacy equivalents minimizes replacement and maintenance costs
- ENERGY STAR Compliant, UL Listed

Technical Specifications		
Performance <hr/> Product Type: PAR Input Wattage: 6.5W Lumens: 500lm Efficacy: 76.9lm/W L70 Lifespan: 25,000-Hour LED lifespan based on IES LM-70 results Wattage Equivalency: 50W Halogen Compliance <hr/> UL Listed: Suitable for damp locations Enclosed Fixtures: Suitable for use in enclosed fixtures	LED Characteristics <hr/> Color Temperature: 2700K Color Accuracy (CRI): 80 CRI Beam Angle: 40° Electrical <hr/> Power Factor: 0.7 Dimmable: Yes Operating Temperature: -20°C to 45°C (-4°F to 113°F) Input Voltage: 120V Operating Frequency: 60 Hz	Construction <hr/> Bulb Shape: PAR16 Enclosure Material: Plastic Installation <hr/> Base Type: E26 Edison Other <hr/> Warranty: RAB warrants that our LED products will be free from defects in materials and workmanship for a period of four (4) years from the date of delivery to the end user, including coverage of light output, color stability, driver performance and fixture finish. RAB's warranty is subject to all terms and conditions found at rablighting.com/warranty . <hr/> \

Case and Pallet Dimensions

	QTY	LENGTH (in)	WIDTH (in)	HEIGHT (in)
CASE	12	8.6	6.5	4
PALLET	4320	44.49	40.47	43.94

Dimension



Light Distribution

