



<b>Project:</b>	<b>Type:</b>
<b>Prepared By:</b>	<b>Date:</b>

Driver Info		LED Info	
Type	Constant Current	Watts	20/15/10W
120V	0.16A/0.13A/0.09A	Color Temp	2700K/3000K/3500K/4000K/5000K
208V	0.00A/0.00A/0.00A	Color Accuracy	93-97 CRI
240V	0.00A/0.00A/0.00A	L70 Lifespan	100,000 Hours
277V	0.00A/0.00A/0.00A	Lumens	913-1870 lm
Input Watts	10-19.8W	Efficacy	83.4-104.9 lm/W

**Technical Specifications**

**Field Adjustability**

**Field Adjustable:**

Field Adjustable Light Output:  
20/15/10W (factory default 20W)  
Color Temperature Selectable:  
2700K, 3000K, 3500K, 4000K and 5000K (factory default 4000K)

**Compliance**

**UL Listed:**

Suitable for dry locations

**IP Rating:**

IP20

**LED Characteristics**

**LEDs:**

Long-life, high-efficacy, COB (Chip on Board) LEDs

**Color Temperature:**

2700/3000/3500/4000/5000K CCT Adjustable

**Electrical**

**Driver:**

Constant Current, Class 2, 120V, 60 Hz, 120V  
10W: 0.19A  
8W: 0.14A  
6W: 0.10A

**Dimming Driver:**

120V TRIAC Dimmers

**Aux Power Supply:**

No

**Dim to Off:**

No

**Surge Protection:**

Ring Wave L-N:2.5 kV, LN-PE 2.5 kV

**Construction**

**Cold Weather Starting:**

The minimum starting temperature is -4°F (-20°C)

**Maximum Ambient Temperature:**

Suitable for use in up to 104°F (40°C)

**Housing:**

Aluminum

**Reflector:**

Polycarbonate

**Finish:**

Formulated for high durability and long-lasting color

**Performance**

**Lifespan:**

100,000-Hour LED lifespan based on IESlm-80 results and TM-21 calculations

**Installation**

**Mounting:**

H-Track Mount

**Optical**

**Optics:**

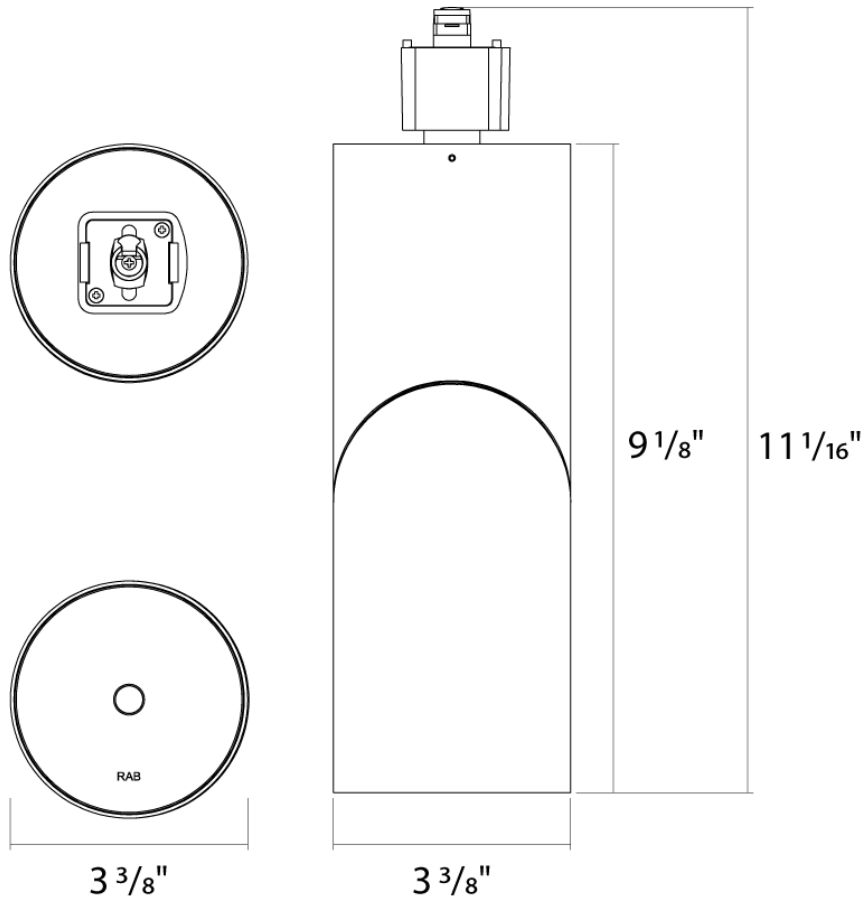
24°

**Other**

**5-Year Limited Warranty:**

The RAB 5-year, limited warranty covers light output, driver performance and paint finish. RAB's warranty is subject to all terms and conditions found at [rablighting.com/warranty](http://rablighting.com/warranty).

Dimensions



Ordering Matrix

Family	Size/Wattage	Mounting	Color Temp	Optics	Finish	Driver
PIVOT	L		Blank	24D		
	S = 8W M = 10/8/06 L = 20/15/10	Blank = H-Track Mount	Blank = 3000/4000/5000K CCT Adjustable Blank = 2700/3000/3500/4000/5000K CCT Adjustable	Blank = 36° 24D = 24°	Blank = White B = Black	Blank = 120V, TRIAC Dimming