



Color: Black

Weight: 1.0 lbs

**Project:**

**Type:**

**Prepared By:**

**Date:**

### Driver Info

Type	Constant Current
120V	0.07A
208V	0.00A
240V	0.00A
277V	0.00A
Input Watts	8.3W

### LED Info

Watts	8W
Color Temp	3000K/4000K/5000K
Color Accuracy	93-94 CRI
L70 Lifespan	100,000 Hours
Lumens	764-812 lm
Efficacy	92-97.9 lm/W

## Technical Specifications

### Field Adjustability

#### Field Adjustable:

Field Adjustable Light Output:  
Color Temperature Selectable:  
3000K, 4000K and 5000K (factory default 4000K)

### Compliance

#### UL Listed:

Suitable for dry locations

#### IP Rating:

IP20

### LED Characteristics

#### LEDs:

Long-life, high-efficacy, COB (Chip on Board) LEDs

#### Color Temperature:

3000/4000/5000K CCT Adjustable

### Electrical

#### Driver:

Constant Current, Class 2, 120V, 60 Hz, 120V: 0.09A

#### Dimming Driver:

120V TRIAC Dimmers

#### Aux Power Supply:

No

#### Dim to Off:

No

#### Surge Protection:

Ring Wave L-N:1 kV, LN-PE 2 kV

### Construction

#### Cold Weather Starting:

The minimum starting temperature is -4°F (-20°C)

#### Maximum Ambient Temperature:

Suitable for use in up to 104°F (40°C)

#### Housing:

Aluminum

#### Reflector:

Polycarbonate

#### Finish:

Formulated for high durability and long-lasting color

### Performance

#### Lifespan:

100,000-Hour LED lifespan based on IESlm-80 results and TM-21 calculations

### Installation

#### Mounting:

H-Track Mount

### Optical

#### Optics:

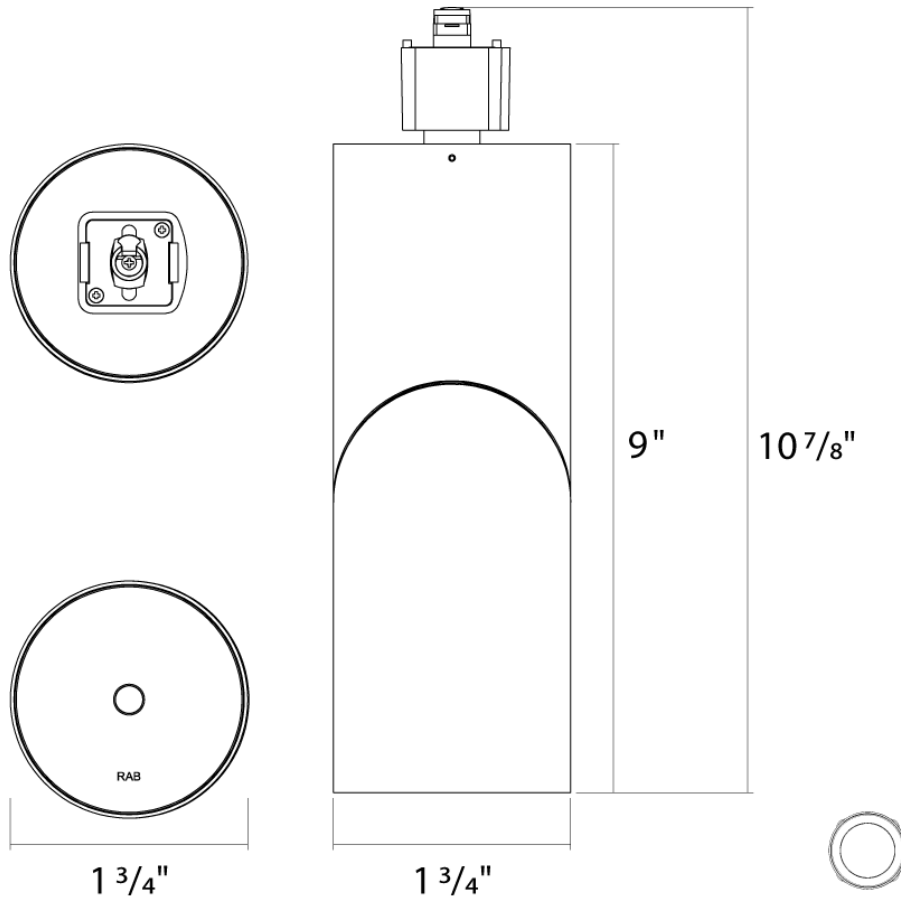
24°

### Other

#### 5-Year Limited Warranty:

The RAB 5-year, limited warranty covers light output, driver performance and paint finish. RAB's warranty is subject to all terms and conditions found at [rablighting.com/warranty](http://rablighting.com/warranty).

Dimensions



Ordering Matrix

Family	Size/Wattage	Mounting	Color Temp	Optics	Finish	Driver
PIVOT	S			24D	B	
	S = 8W M = 10/8/06 L = 20/15/10	Blank = H-Track Mount	Blank = 3000/4000/5000K CCT Adjustable Blank = 2700/3000/3500/4000/5000K CCT Adjustable	Blank = 36° 24D = 24°	Blank = White B = Black	Blank = 120V, TRIAC Dimming