

## PROLIGHTING 48" 40 Watt Architectural LED Linear Fixture

This architectural linear LED fixture by PROLIGHTING is an excellent choice to provide your office, retail, educational or other general lighting application with long lasting, energy efficient LED illumination. This fixture can be surface, suspended, wall or recessed mounted. It is constructed of extruded aluminum with a white high reflectance enamel finish and a polycarbonate frosted lens. Being CCT-tunable, this fixture allows for the installer or end user to switch between warm-neutral 35K, neutral 40K or daylight 50K white light color temperatures. The PL-MX811-4-3CCT-WH is a 48" long, 40 watt architectural LED linear fixture that provides 4,400 to 4,800 lumens of CCT-tunable white light color temperatures.

### FEATURES

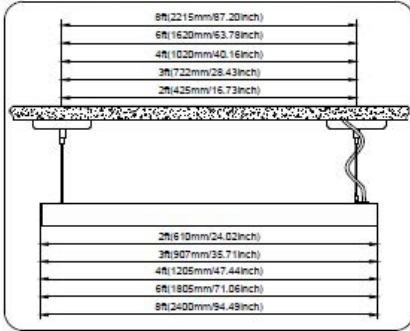
- 120-277V operation
- 0-10V dimmable
- CCT-tunable: choose between warm-neutral 35K, neutral 40K or daylight 50K white light color temperatures
- Surface, suspended, wall or recessed mountable
- Extruded aluminum body with polycarbonate frosted lens
- Integrated surge protection
- Damp location rated
- Operating temperature: -22° to 104° F
- 50,000 hour rated
- 5 year warranty



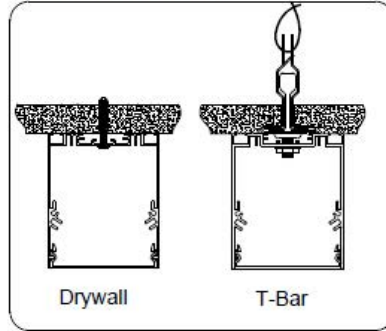
<b>Model Number</b>	<b>PL-MX811-4-3CCT-WH</b>
<b>Input Power</b>	40 Watt
<b>Lumens</b>	4,400 - 4,800
<b>Lumens Per Watt</b>	110 - 120 lm/W
<b>Input Voltage</b>	120-277V
<b>Color Temperature</b>	CCT Tunable: 3500K/4000K/5000K
<b>CRI</b>	80+
<b>Beam Angle</b>	100% Down
<b>Dimmable</b>	0-10V dimming
<b>Special Features</b>	CCT Tunable, Damp Location Rated, Surge Protection
<b>Certification</b>	UL, cUL
<b>Product Finish</b>	White
<b>Housing Material</b>	Die-cast Aluminium
<b>Lens</b>	Frosted Polycarbonate Lens
<b>Rated Life</b>	50,000 hours
<b>Min Operating Temp</b>	-22°F
<b>Length</b>	47.44"
<b>Width</b>	2.76"
<b>Height</b>	3.35"
<b>Warranty</b>	5 Years

## INSTALLATION

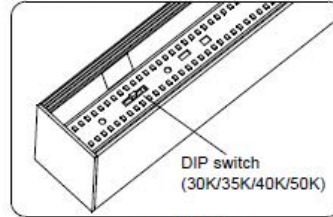
### Installation Dimension(suspended)



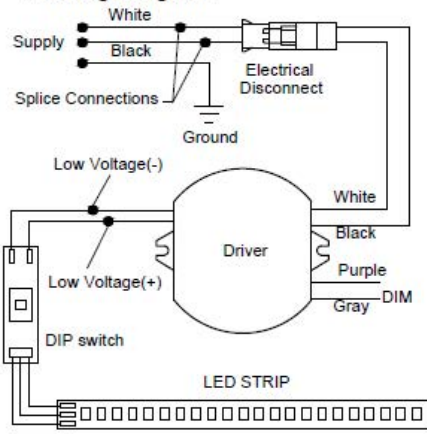
### Surface mounted



### Dip switch for CCT(OPTION)



### Wiring Diagram



### SUSPENDED MOUNT

