

<b>Project:</b>	<b>Type:</b>	<b>Prepared By:</b>	<b>Date:</b>
-----------------	--------------	---------------------	--------------



### Features and Benefits

- Replaces 18W/26W/32W G24d & G24q CFL Lamps
- Ballast Bypass. Integral Driver enables lamp to be wired directly to line voltage without need for an external driver or ballast
- Compatible with G24d / GX24d & G24q / GX24q installations
- 50,000 hour Lifespan
- Environmentally friendly, no mercury used
- UL Classified
- Rated for use in enclosed and open fixtures in dry or damp locations
- Non-Dimmable
- 5 Year No Compromise Warranty

Technical Specifications		
<b>Performance</b> <hr/> <b>Product Type:</b> Compact  <b>Input Wattage:</b> 9W  <b>Wattage Equivalency:</b> 26W Fluorescent  <b>Lumens:</b> 950lm  <b>Efficacy:</b> 106lm/W  <b>L70 Lifespan:</b> 50,000 Hours  <b>Construction</b> <hr/> <b>Bulb Shape:</b> PLC  <b>Finish:</b> Frosted	<b>For Use Outdoors in Open Fixtures:</b> No  <b>LED Characteristics</b> <hr/> <b>Color Temperature:</b> 3500K Neutral White  <b>Color Accuracy (CRI):</b> 82 CRI  <b>Installation</b> <hr/> <b>Base Type:</b> G24d  <b>Installation Type:</b> Type B, Ballast Bypass  <b>Installation Orientation:</b> Vertical  <b>Electrical</b> <hr/> <b>THD:</b> <20%  <b>Power Factor:</b> 0.9	<b>Operating Temperature:</b> -20°C to 45°C (-4°F to 113°F)  <b>Dimmable:</b> No  <b>Input Voltage:</b> 120-277V AC  <b>Operating Frequency:</b> 50/60Hz  <b>Other</b> <hr/> <b>Warranty:</b> RAB warrants that our LED products will be free from defects in materials and workmanship for a period of five (5) years from the date of delivery to the end user, including coverage of light output, color stability, driver performance and fixture finish. RAB's warranty is subject to all terms and conditions found at <a href="http://rablighting.com/warranty">rablighting.com/warranty</a> .  <b>Compliance</b> <hr/> <b>UL Recognized:</b> Yes

**Technical Specifications (continued)**

**UL Classified:**

Yes

**California Energy Commission (CEC) Status:**

Lawful for Sales in California

**Application:**

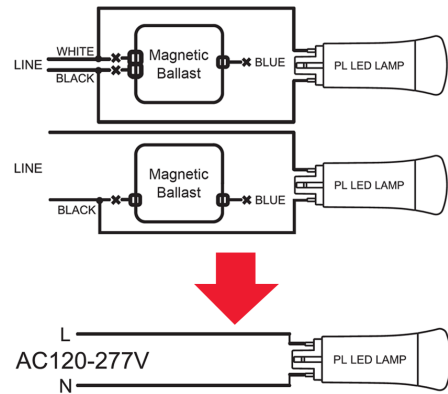
Suitable for damp locations and totally enclosed fixtures.

\

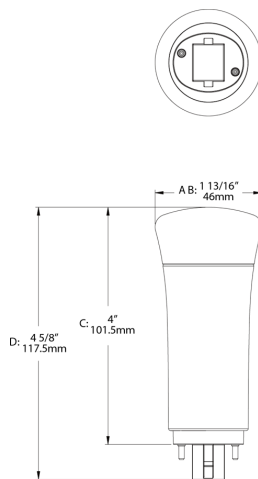
**Case and Pallet Dimensions**

	QTY	LENGTH (in)	WIDTH (in)	HEIGHT (in)
CASE	12	8.1	6.1	5
PALLET	3456	47.2	39.4	47.6

**Wiring Diagram**



**Dimension**



**Light Distribution**

