

Project:	Type:	Prepared By:	Date:
-----------------	--------------	---------------------	--------------



Features and Benefits

- Replaces 18W/26W/32W G24d & G24q CFL Lamps
- Ballast Bypass. Integral Driver enables lamp to be wired directly to line voltage without need for an external driver or ballast
- Compatible with G24d / GX24d & G24q / GX24q installations
- 50,000 hour Lifespan
- Environmentally friendly, no mercury used
- UL Classified
- Rated for use in enclosed and open fixtures in dry or damp locations
- Non-Dimmable
- 5 Year No Compromise Warranty

Technical Specifications		
Performance Product Type: Compact Input Wattage: 9W Wattage Equivalency: 26W Fluorescent Lumens: 1,000lm Efficacy: 111lm/W L70 Lifespan: 50,000 Hours Construction Bulb Shape: PLC Finish: Frosted	For Use Outdoors in Open Fixtures: No LED Characteristics Color Temperature: 4000K Cool White Color Accuracy (CRI): 82 CRI Installation Base Type: G24d Installation Type: Type B, Ballast Bypass Installation Orientation: Vertical Electrical THD: <20% Power Factor: 0.9	Operating Temperature: -20°C to 45°C (-4°F to 113°F) Dimmable: No Input Voltage: 120-277V AC Operating Frequency: 50/60Hz Other Warranty: RAB warrants that our LED products will be free from defects in materials and workmanship for a period of five (5) years from the date of delivery to the end user, including coverage of light output, color stability, driver performance and fixture finish. RAB's warranty is subject to all terms and conditions found at rablighting.com/warranty . Compliance UL Recognized: Yes

Technical Specifications (continued)

UL Classified:

Yes

California Energy Commission (CEC) Status:

Lawful for Sales in California

Application:

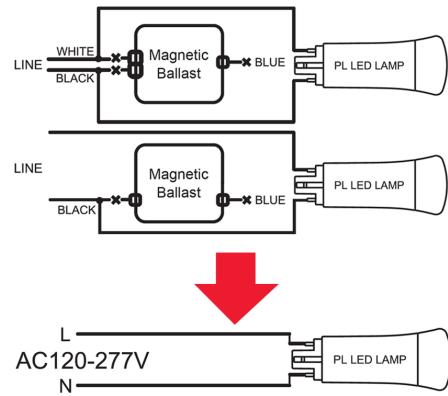
Suitable for damp locations and totally enclosed fixtures.

\ _____

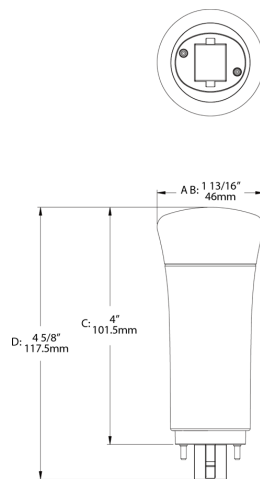
Case and Pallet Dimensions

	QTY	LENGTH (in)	WIDTH (in)	HEIGHT (in)
CASE	12	8.1	6.1	5
PALLET	3456	47.2	39.4	47.6

Wiring Diagram



Dimension



Light Distribution

