

Project:	Type:	Prepared By:	Date:
-----------------	--------------	---------------------	--------------



Features and Benefits

- Field Adjustable 3 CCTs in 1 SKU (3000K, 3500K, 4000K)
- Replacements for CFL 13W, 18W, and 26W G24q Lamps
- Ballast Compatible. Directly Compatible with Most Existing CFL Ballasts.
- Compatible with G24q / GX24q (4-pin CFL) installations
- Instant-on with no warmup, unlike CFLs
- Lasts 5x longer than compact fluorescent lamps
- Consumes up to 1/3 the energy of conventional CFL
- Base rotates, direct light where needed on Horizontal models
- 50,000 hour Lifespan
- Environmentally friendly, no mercury used
- UL Listed, DLC Listed
- Rated for use in enclosed and open fixtures in dry or damp locations
- 5 Year No Compromise Warranty

Technical Specifications		
<p>Performance</p> <hr/> <p>Product Type: Compact</p> <p>Input Wattage: 9.5W</p> <p>Lumens: 1100/1120/1150lm</p> <p>Efficacy: 115/117/121lm/W</p> <p>L70 Lifespan: 50,000-Hour LED lifespan based on IES LM-80 results and TM-21 calculations</p> <p>Wattage Equivalency: 18W/26W/32W G24q</p> <p>Electrical</p> <hr/> <p>THD: 20%</p> <p>Power Factor: >0.9</p>	<p>Dimmable: Not suggested for dimming applications</p> <p>Input Voltage: 120-277V AC</p> <p>Operating Frequency: 50/60Hz</p> <p>Operating Temperature: -20°C to 45°C (-4°F to 113°F)</p> <p>LED Characteristics</p> <hr/> <p>Color Accuracy (CRI): 80</p> <p>Color Temperature: 3000/3500/4000K</p> <p>Beam Angle: 140°</p> <p>Construction</p> <hr/> <p>Bulb Shape: PLC-Vertical</p>	<p>Enclosure Material: Polycarbonate</p> <p>Housing Finish: White</p> <p>Lens Finish: Frosted</p> <p>Installation</p> <hr/> <p>Base Type: 4-Pin G24q</p> <p>Installation Method: UL Type A, Plug and Play</p> <p>Burning Position: Vertical</p> <p>Other</p> <hr/> <p>Technology EQ: CFL</p>

Technical Specifications (continued)

Warranty:

RAB warrants that our LED products will be free from defects in materials and workmanship for a period of five (5) years from the date of delivery to the end user, including coverage of light output, color stability, driver performance and fixture finish. RAB's warranty is subject to all terms and conditions found at rablighting.com/warranty.

Compliance

Listings:

UL Listed

Environment:

Damp / Open

RoHS:

Mercury and UV free. RoHS-compliant components.

FCC:

Complies with Part 15B of the FCC Rules

Certification Model Number:

T10199(PLC-9.5-V-8FA-DIR)

DLC Listed:

This product is on the Design Lights Consortium (DLC) Qualified Products List and is eligible for rebates from DLC Member Utilities. Designed to meet DLC 5.1 requirements.

DLC Product Code: PLCP6KX7QPBO

\

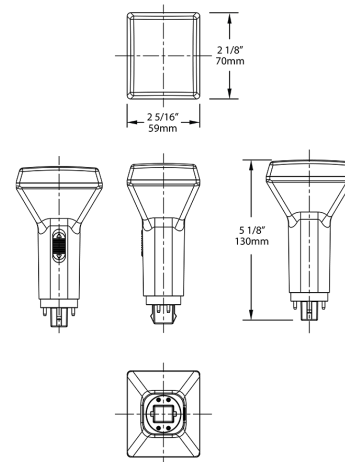
Minimum Compartment Size

Length x Width x Height [in]	Lamp Quantity
9	1

Case and Pallet Dimensions

	QTY	LENGTH (in)	WIDTH (in)	HEIGHT (in)
CASE	12	0	0	0
PALLET	281	0	0	0

Dimension



Light Distribution

