



<b>Project:</b>	<b>Type:</b>
<b>Prepared By:</b>	<b>Date:</b>

Driver Info		LED Info	
Type	Constant Current	Watts	55/42/30W
120V	0.50A/0.35A/0.25A	Color Temp	3500/4000/5000K
208V	0.29A/0.21A/0.15A	Color Accuracy	79-81 CRI
240V	0.25A/0.18A/0.13A	L70 Lifespan	100,000 Hours
277V	0.22A/0.15A/0.11A	Lumens	4,233-7,510 lm
Input Watts	29.7-53.7W	Efficacy	133-147.3 lm/W

**Technical Specifications**

**Field Adjustability**

**Field Adjustable:**

Field Adjustable Light Output:  
55W/42W/30W (factory default 55W)  
Color Temperature Selectable:  
3500K, 4000K and 5000K (factory default 4000K)  
On/Off Photocell (factory default "Off")

**Compliance**

**UL Listed:**

Suitable for wet locations

**IP Rating:**

Ingress protection rating of IP65 for dust and water

**IESNA LM-79 & LM-80 Testing:**

RAB LED luminaires and LED components have been tested by an independent laboratory in accordance with IESNA LM-79 and LM-80.

**DLC Listed:**

This product is listed by Design Lights Consortium (DLC) as an ultra-efficient premium product that qualifies for the highest tier of rebates from DLC Member Utilities. Designed to meet DLC 5.1 requirements.

DLC Product Code: S-RW3CZZ

**Performance**

**Lifespan:**

100,000-Hour LED lifespan based on IES LM-80 results and TM-21 calculations

**Driver:**

55W: Constant Current, Class 1, 50/60 Hz, 120V-277V, 120V: 0.50A, 208V: 0.29A; 240V: 0.25A, 277V: 0.22A  
42W: Constant Current, Class 1, 50/60 Hz, 120V-277V, 120V: 0.35A, 208V: 0.21A; 240V: 0.18A, 277V: 0.15A  
30W: Constant Current, Class 1, 50/60 Hz, 120V-277V, 120V: 0.25A, 208V: 0.15A; 240V: 0.13A, 277V: 0.11A

**LED Characteristics**

**LEDs:**

Long-life, high-efficacy, surface-mount LEDs

**Color Consistency:**

7-step MacAdam Ellipse binning to achieve consistent fixture-to-fixture color

**Color Uniformity:**

RAB's range of Correlated Color Temperature follows the guidelines of the American National Standard for Specifications for the Chromaticity of Solid State Lighting (SSL) Products, ANSI C78.377-2017.

**Electrical**

**Dimming Driver:**

Driver includes dimming control wiring for 0-10V dimming systems. Requires separate 0-10V DC dimming circuit. Dims down to 10%.

**THD:**

55W: 4.26% at 120V, 11.58% at 277V  
42W: 5.79% at 120V, 13.35% at 277V  
30W: 8.75% at 120V, 13.51% at 277V

**Power Factor:**

55W: 99.6% at 120V, 93.5% at 277V  
42W: 99.4% at 120V, 89.9% at 277V  
30W: 98.9% at 120V, 83.6% at 277V

**Surge Protection:**

Ringwave LN4kV/LN-GND 6kV

**Aux Power Supply:**

Yes

**Dim to Off:**

Yes

**Photocell:**

Integrated photocell included with on/off switch (factory default: off)

## Technical Specifications (continued)

### Construction

---

**Cold Weather Starting:**

The minimum starting temperature is -40°C (-40°F)

**Maximum Ambient Temperature:**

Suitable for use in up to 40°C (104°F)

**Gaskets:**

High-temperature silicone

**Housing:**

Die-cast aluminum

**Lens:**

Polycarbonate lens

**Reflector:**

Polycarbonate

**Green Technology:**

Mercury and UV free. RoHS-compliant components.

**Finish:**

Formulated for high durability and long-lasting color

\

---

### Installation

---

**Mounting:**

Surface and pendant mounting

### Optical

---

**BUG Rating:**

55W: B3 U4 G4

42W B3 U4 G4

30W: B2 U4 G3

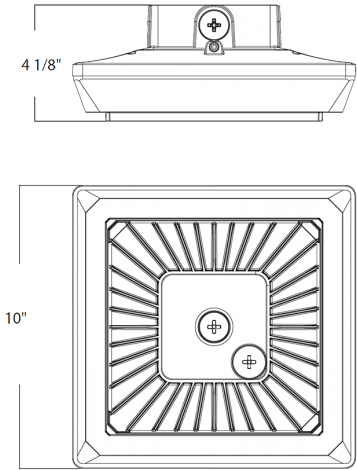
### Other

---

**5 Yr Limited Warranty:**

The RAB 5-year, limited warranty covers light output, driver performance and paint finish. RAB's warranty is subject to all terms and conditions found at [rablighting.com/warranty](http://rablighting.com/warranty).

**Dimensions**



**Features**

- IP65 rated
- 100,000-Hour LED lifespan
- 5-Year Limited Warranty

**Ordering Matrix**

Family	Wattage	Color Temp	Shape	Finish	Driver	Options
PRT	55		S	W		
	55 = 55/42/30W 80 = 80/70/60W 110 = 110/95/80W	Blank = 3500/4000/5000K Adjustable CCT	R = Round S = Square	Blank = Bronze W = White	Blank = 120-277V, 0-10V Dimming, On/Off Photocell /480 = 480V, 0-10V Dimming, On/Off Photocell	Blank = On/Off Photocell <sup>1</sup> /E = Battery Backup & On/Off Photocell <sup>2</sup> /LC = Lightcloud /LCB = Lightcloud Blue /LC/E = Lightcloud w/Battery Backup <sup>2</sup> /LCB/E = Lightcloud Blue w/Battery Backup <sup>2</sup>

<sup>1</sup> Integrated photocell can't be used when ordered with LC or LCB options

<sup>2</sup> Battery backup only available on 120-277V models