



Color: Bronze

Weight: 8.5 lbs

Project:	Type:
Prepared By:	Date:

Driver Info		LED Info	
Type	Constant Current	Watts	80/70/60W
120V	0.75A/0.60A/0.50A	Color Temp	3500/4000/5000K
208V	0.46A/0.34A/0.29A	Color Accuracy	79-81 CRI
240V	0.40A/0.30A/0.25A	L70 Lifespan	100,000 Hours
277V	0.32A/0.26A/0.22A	Lumens	7,887-11,020 lm
Input Watts	55.5-78.1W	Efficacy	133.2-148.6 lm/W

Technical Specifications

Field Adjustability

Field Adjustable:

Field Adjustable Light Output:
80W/70W/60W (factory default 80W)
Color Temperature Selectable:
3500K, 4000K and 5000K (factory default 4000K)
On/Off Photocell (factory default "Off")

Compliance

UL Listed:

Suitable for wet locations

IP Rating:

Ingress protection rating of IP65 for dust and water

IESNA LM-79 & LM-80 Testing:

RAB LED luminaires and LED components have been tested by an independent laboratory in accordance with IESNA LM-79 and LM-80.

DLC Listed:

This product is listed by Design Lights Consortium (DLC) as an ultra-efficient premium product that qualifies for the highest tier of rebates from DLC Member Utilities. Designed to meet DLC 5.1 requirements.
DLC Product Code: S-T8TKZS

Performance

Lifespan:

100,000-Hour LED lifespan based on IES LM-80 results and TM-21 calculations

Driver:

80W: Constant Current, Class 1, 50/60 Hz, 120V-277V, 120V: 0.75A, 208V: 0.46A; 240V: 0.40A, 277V: 0.32A
70W: Constant Current, Class 1, 50/60 Hz, 120V-277V, 120V: 0.60A, 208V: 0.34A; 240V: 0.30A, 277V: 0.26A
60W: Constant Current, Class 1, 50/60 Hz, 120V-277V, 120V: 0.50A, 208V: 0.29A; 240V: 0.25A, 277V: 0.22A

LED Characteristics

LEDs:

Long-life, high-efficacy, surface-mount LEDs

Color Consistency:

7-step MacAdam Ellipse binning to achieve consistent fixture-to-fixture color

Color Uniformity:

RAB's range of Correlated Color Temperature follows the guidelines of the American National Standard for Specifications for the Chromaticity of Solid State Lighting (SSL) Products, ANSI C78.377-2017.

Electrical

Dimming Driver:

Driver includes dimming control wiring for 0-10V dimming systems. Requires separate 0-10V DC dimming circuit. Dims down to 10%.

THD:

80W: 6.55% at 120V, 9.93% at 277V
70W: 7.57% at 120V, 9.9% at 277V
60W: 8.84% at 120V, 7.54% at 277V

Power Factor:

80W: 99.7% at 120V, 96.4% at 277V
70W: 99.6% at 120V, 95.5% at 277V
60W: 99.4% at 120V, 94.2% at 277V

Battery Backup:

Battery backup will operate the fixture for 90 minutes if power fails. Wired for 120-277V.

Battery Backup Light Loss Factor:

80W: 10%
70W: 12%
60W: 14%

Surge Protection:

Ringwave LN4kV/LN-GND 6kV

Aux Power Supply:

Yes

Technical Specifications (continued)

Dim to Off:

Yes

Photocell:

Integrated photocell included with on/off switch
(factory default: off)

Construction

Maximum Ambient Temperature:

Suitable for use in up to 40°C (104°F)

Gaskets:

High-temperature silicone

Housing:

Die-cast aluminum

Lens:

Polycarbonate lens

Reflector:

Polycarbonate

Green Technology:

Mercury and UV free. RoHS-compliant components.

Finish:

Formulated for high durability and long-lasting color

Installation

Mounting:

Surface and pendant mounting

Optical

BUG Rating:

80W: B3 U5 G5

70W B3 U5 G5

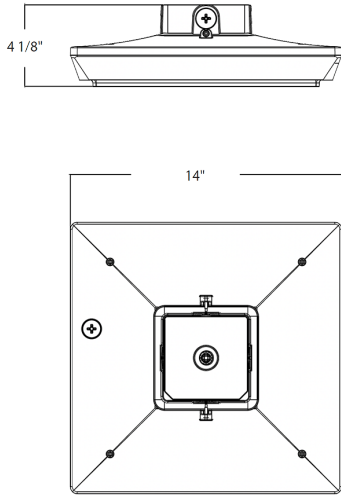
60W: B3 U4 G4

Other

5 Yr Limited Warranty:

The RAB 5-year, limited warranty covers light output, driver performance and paint finish. RAB's warranty is subject to all terms and conditions found at rablighting.com/warranty.

Dimensions



Features

- IP65 rated
- 100,000-Hour LED lifespan
- 5-Year Limited Warranty

Ordering Matrix

Family	Wattage	Color Temp	Shape	Finish	Driver	Options
PRT	80		S			/E
	55 = 55/42/30W 80 = 80/70/60W 110 = 110/95/80W	Blank = 3500/4000/5000K Adjustable CCT	R = Round S = Square	Blank = Bronze W = White	Blank = 120-277V, 0-10V Dimming, On/Off Photocell /480 = 480V, 0-10V Dimming, On/Off Photocell	Blank = On/Off Photocell ¹ /E = Battery Backup & On/Off Photocell ² /LC = Lightcloud /LCB = Lightcloud Blue /LC/E = Lightcloud w/Battery Backup ² /LCB/E = Lightcloud Blue w/Battery Backup ²

¹ Integrated photocell can't be used when ordered with LC or LCB options

² Battery backup only available on 120-277V models