



Color: Bronze

Weight: 200.8 lbs

Project:	Type:
Prepared By:	Date:

### Technical Specifications

**Compliance**

**CSA Listed:**

Suitable for wet locations

**Performance**

**Description:**

Steel pole 7" taper 11 gauge 25 foot welded tenon square base

**Construction**

**Base Shaft Diameter:**

7"

**Hand Holes:**

Reinforced with grounding lug and removable cover

**Base Plates:**

36,000 p.s.i. minimum yield.

**Color:**

Bronze powder coating

**Height:**

25 ft

**Gauge:**

11

**Wall Thickness:**

1/8"

**Anchor Bolt Templates:**

WARNING Template must be printed on 12" x 18" sheet for actual size. CHECK SCALE BEFORE USING. Templates shipped with anchor bolts and available [online](#).

**Max EPA's/Max Weights:**

- 70MPH 17.9 ft/550 lb.
- 80MPH 12.1 ft/500 lb.
- 90MPH 7.1 ft/500 lb.
- 100MPH 4.4 ft/500 lb.
- 110MPH 2.4 ft/450 lb.
- 120MPH 0.9 ft/400lb

**Accessories:**

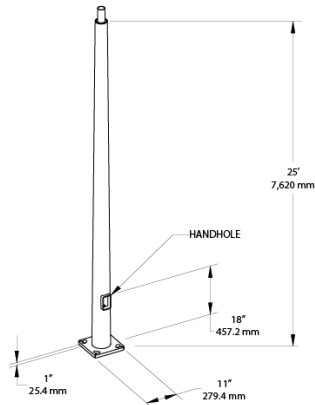
Base/Cap: [BASE-RTZ](#)  
Anchor Bolts: [BOLT5-8](#)

**Other**

**Terms of Sale:**

Pole Terms of Sale is available [online](#).

**Dimensions**



**Features**

- Designed for ground mounting
- Heavy duty TGIC polyester coating
- Reinforced hand holes with grounding lug and removable cover for easy wiring access
- Pole caps, base covers & bolts are sold separately
- Custom manufactured for each application

**Ordering Matrix**

Family	Shape	Size	Gauge	Height	Drilled/Welded Tenon
P	TR	7	11	25	WT
	R = Round	4 = 4"	7 = 7	10 = 10'	D2 = Drilled
	TR = Tapered Round	5 = 5"	11 = 11	15 = 15'	WT = Welded Tenon
		6 = 6"		20 = 20'	
		7 = 7"		25 = 25'	
		8 = 8"		30 = 30'	