



<b>Project:</b>	<b>Type:</b>
<b>Prepared By:</b>	<b>Date:</b>

Driver Info		LED Info	
Type	Constant Current	Watts	10W
120V	0.09A	Color Temp	2700/3000/3500/4000/5000K
208V	N/A	Color Accuracy	90 CRI
240V	N/A	L70 Lifespan	50,000 Hours
277V	N/A	Lumens	784-874 lm
Input Watts	9.7-9.8W	Efficacy	80.2-89.6 lm/W

**Technical Specifications**

**Performance**

**Product Type:**  
Slim Surface Mount Wafer

**Description:**  
Slim wafer design with the flexibility to fit in a 4" recessed housing or 4" J-box. Field selectable color temperatures options 2700K, 3000K, 3500K, 4000K or 5000K at 90CRI.

**Wattage Equivalency:**  
60W Incandescent

**Input Wattage:**  
10W

**Lumens (Nominal):**  
824lm

**Efficacy:**  
83lm/W

**L70 Lifespan:**  
50,000-Hour LED lifespan based on IES LM-70 results

**Electrical**

**Driver:**  
Constant Current, Class 2 120V 60 Hz; 120V: 100mA

**Power Factor:**  
≥0.9

**Dimmable:**  
Yes, dimmable down to 10% on compatible TRIAC/ELV dimming systems. See Dimmer Compatibility List.

**Input Voltage:**  
120V

**Operating Temperature:**  
-4°F to 104°F (-20 to 40°C)

**Flicker:**  
≤30%

**LED Characteristics**

**Beam Angle:**  
110°±10°

**Color Temperature:**  
Default 3000K  
Field adjustable via dip switch  
2700/3000/3500/4000/5000K

**Color Accuracy (CRI):**  
90 CRI

**R9 Value:**  
High color performance with R9 greater than 50

**Color Consistency:**  
4-step MacAdam Ellipse binning to achieve consistent fixture-to-fixture color

**Color Stability:**  
LED color temperature is warrantied to Shift no more than 200K in color temperature over a 5-year period

**Color Uniformity:**  
RAB's range of Correlated Color Temperature follows the guidelines of the American National Standard for Specifications for the Chromaticity of Solid State Lighting (SSL) Products, ANSI C78.377-2017.

**Installation**

**Mounting:**  
Easy installation in metallic and non-metallic new construction junction boxes. Fixture mounts directly to J-box with two screws using keyhole slots.

**Construction**

**Size:**  
4"

**Shape:**  
Round

**Finish:**  
White

**Technical Specifications (continued)****Enclosure Material:**

Metal+Plastic

**Trim Style:**

Smooth

**Lens Finish:**

Frosted

**Lens:**

Polycarbonate light diffuser distributes light evenly and smoothly for general lighting applications

**Air Tight:**

Housing certified Air Tight as per ASTM-E283

**Compliance****Listings:**

UL Listed

**Environment:**

Suitable for use indoors and outdoors in dry, damp, or wet environments.

**IC Rated:**

Suitable for direct contact with insulation. Type IC inherently protected, suitable for direct contact to air permeable insulation and cULus listed for damp locations. Not for use in direct contact with spray foam insulation, consult NEMA LSD57-2013.

**Energy Star Approved:**

This product is ENERGY STAR® Version 2.2 Certified

**Certification Model Number:**

DLW1001(PUCK34)

**California Title 20 Compliant:**

No

**California Title 24 JA8 Compliant:**

Can be used to conform with the requirements of California Title 24 Part 6.

**California Energy Commission (CEC) Status:**

Lawful for Sales in California

**NEC Compliant:**

Suitable for use in closets. Compliant with NEC Sec. 410.16 (A)(1) and 410.16 (C3).

**IESNA LM-79 & LM-80 Testing:**

RAB LED luminaires and LED components have been tested by an independent laboratory in accordance with IESNA LM-79 and LM-80.

**RoHS:**

Mercury and UV free. RoHS-compliant components.

**FCC:**

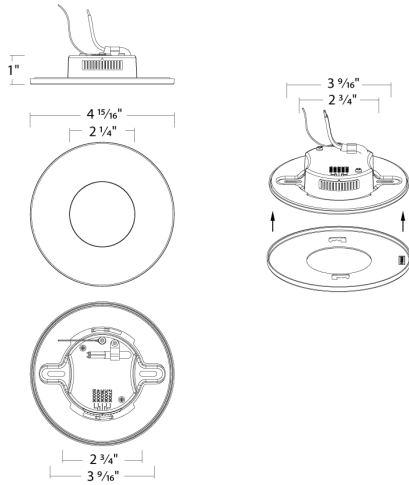
Complies with Part 15 of the FCC Rules

**Trade Agreements Act Compliant:**

This product is a product of Cambodia and a "designated country" end product that complies with the Trade Agreements Act

**Other****Compatible Accessories:**PUCK34-TRIM-RD-B  
4" PUCK34 round black trimPUCK34-TRIM-RD-BZ  
4" PUCK34 round bronze trimPUCK34-TRIM-RD-SV  
4" PUCK34 round silver trim**5-Year, No-Compromise Warranty:**RAB warrants that our LED products will be free from defects in materials and workmanship for a period of five (5) years from the date of delivery to the end user, including coverage of light output, color stability, driver performance and fixture finish. RAB's warranty is subject to all terms and conditions found at [rablighting.com/warranty](http://rablighting.com/warranty).

Dimensions



Features

- Ultra Slim surface mount design with integrated driver recesses into junction box
- Polycarbonate trim with twist-lock design for easy installation and quick trim replacement
- Available Trims in Black, Bronze, and Silver sold separately
- Field adjustable color temperature options from 2700/3000/3500/4000/5000K
- Fits most 4" non-metallic boxes and 4/O metallic boxes simply using two screws
- Dimmable down to 10% on compatible TRIAC/ELV systems

Ordering Matrix

Family	Size/Wattage	Shape	CRI/Color Temp	Driver	Finish	Trim
PUCK34						
	Blank = 4", 10W	Blank = Round	Blank = 90 CRI, CCT Adjustable	Blank = 120V, TRIAC/ELV	Blank = White	Blank = Smooth