



Project:	Type:
Prepared By:	Date:

Driver Info		LED Info	
Type	Constant Current	Watts	7W
120V	0.07A	Color Temp	2700/3000/3500/4000/5000K
208V	N/A	Color Accuracy	90 CRI
240V	N/A	L70 Lifespan	50,000 Hours
277V	N/A	Lumens	650 lm
Input Watts	7.5W	Efficacy	87

Technical Specifications

Performance

Description:

Slim wafer design with the flexibility to fit in a 4" recessed housing or 4" J-box. Field selectable color temperatures options 2700K, 3000K, 3500K, 4000K or 5000K at 90CRI.

Product Type:

Recessed Downlights

Input Wattage:

7.5W

Lumens:

650lm

Efficacy:

87lm/W

L70 Lifespan:

50,000-Hour LED lifespan based on IES LM-70 results

Compliance

UL Listed:

Suitable for wet locations

Energy Star Approved:

ENERGY STAR® Version 1.0 Certified

Certification Model Number:

DLC0052(C8R559FAUNVW)

Electrical

Dimming Driver:

TRIAC compatible dimmer with dimming as low as 10%.

THD:

≤20%

Power Factor:

≥0.9

Flicker:

≤30%

Input Voltage:

120V

Operating Frequency:

60Hz

Construction

Material:

Metal

Trim Style:

Smooth Trim

Shape:

Round

Operating Temperature:

-20°C (-4°F) to 40°C (104°F)

Size:

4"

Installation

Base Type:

E26 Edison

Mounting:

Surface and recessed mount. Compatible with 4" metal octagon or 4" plastic j-boxes with min. 3.2" clearance.

LED Characteristics

R9 Value:

High color performance with R9 greater than or equal to 50

Technical Specifications (continued)

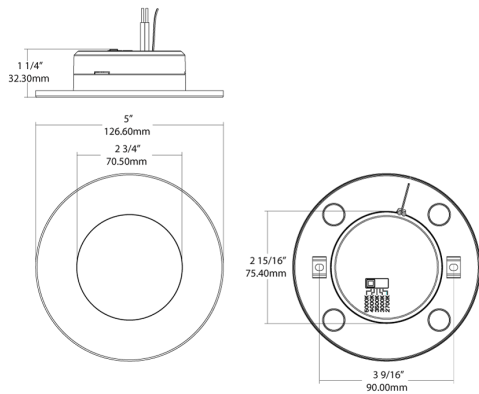
Other

Warranty:

RAB warrants that our LED products will be free from defects in materials and workmanship for a period of five (5) years from the date of delivery to the end user, including coverage of light output, color stability, driver performance and fixture finish. RAB's warranty is subject to all terms and conditions found at rablighting.com/warranty.

\

Dimensions



Features

- Slim wafer design - fits in 4" can or 4" J-Box
- Suitable for dry, damp, and wet environments
- Steel trim with magnetic design for quick trim replacement
- Trim color options available in Brushed Nickel, Black, and Bronze
- Includes E26 cap as an accessory to meet T24 & T20 requirements
- Field adjustable color temperature options from 2700/3000/3500/4000/5000K
- High performance >90CRI to provide accurate color rendering

Ordering Matrix

Family	Size	Shape	Wattage	CRI/Color Temp	Driver	Finish	Trim
PUCKFA	4	R	7.5	9CCT	120	W	S

4 = 4" R = Round 7.5 = 7.5W 9CCT = 90 CRI, 2700/3000/3500/4000/5000K 120 = 120V W = White S = Smooth