

Die cast aluminum for thru-wall or conduit end floodlight mounting. Three 1/2" threaded holes. Side opening cover for easy access and splicing. 1/2" thru wall tapped hub.

Color: Natural

Weight: 0.4 lbs

Project:

Type:

Prepared By:

Date:

Technical Specifications

Compliance

UL Listed:

Suitable for wet locations

Trade Agreements Act Compliant:

This product is a product of Cambodia and a "designated country" end product that complies with the Trade Agreements Act

Other

Outlet Box Construction:

Precision die cast aluminum

Installation

Outlet Box Mounting Lugs:

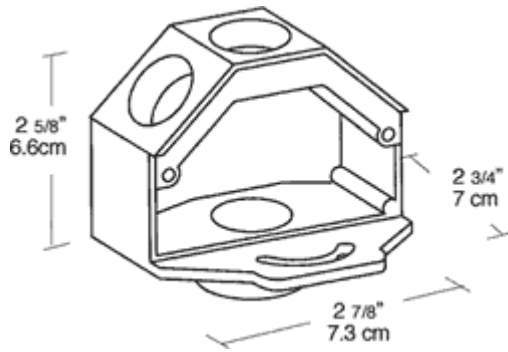
16 gauge corrosion protected steel with Phillips Flat head mounting screws

Construction

Ground Screw:

#10-24 Green corrosion protected steel slotted hex washer head screw provided in pre-tapped hole

Dimensions



Features

- Die cast aluminum
- Three $\frac{1}{2}''$ threaded holes
- $\frac{1}{2}''$ thru wall tapped hub