

# R2FRDL

## 2" FQ - Round Downlight Trimless



Fixture Type:

Catalog Number:

Project: \_\_\_\_\_

Location: \_\_\_\_\_

### PRODUCT DESCRIPTION

The FQ Recessed series offers a complete line of high performance LED luminaires that provide outstanding functionality and quality. The series features superlative glare control with 30° shielding, 35° vertical tilting and 360° horizontal rotation, and uniform floor-to-ceiling wall washing. Multiple power level options and a full line of round and square, trimmed and trimless luminaires offer versatile solutions for various lighting applications. Easy to order, install, and service.

### FEATURES

- Two-piece die-cast construction
- Light engine mounted on trim with springs for easy replacement
- 30° shielding angle design for better visual comfort
- Field changeable beam angle with reflectors provided
- Accepts one Lens or glare control accessory
- 5 year WAC Lighting product warranty

### SPECIFICATIONS

- Construction:** Durable die-cast aluminum construction
- Input:** Universal 120-277V AC 50/60 Hz
- Dimming:** Electronic Low Voltage (ELV): 100%-1%  
TRIAC: 100%-1%  
0-10V: 100-1%
- Light Source:** High output 3-step Mac Adam Ellipse COB  
Rated life of 50,000 hours at L70
- Mounting:** Heavy gauge retention clips support trim firmly. Safety cabling standard. Ceiling cutout: Ø 3 1/2" Accommodates 1/2" - 1" ceiling thickness
- Finish:** Electrostatically powder coated White, Black, Dark Bronze. Enamel coated Haze.
- Standards:** ETL & cETL Wet Location Listed, Energy Star 2.0, Title 24 JA8 Compliant.

	Model	Beam	*Lumens	*CBCP	Color Temp	CRI	Finishes	Reflector/Trim
	<b>R2FRDL</b> Round Trimless	N 25°	2045	5610	<b>930</b> 3000K	90	<b>BK</b>	Black
		F 40°	2025	3790			<b>DB</b>	Dark Bronze
		W 55°	1970	2975			<b>HZ</b>	Haze
							<b>WT</b>	White

### R2FRDL-\_\_-\_\_

Example: **R2FRDL-927-BK** (Beam N-25° reflector is pre-installed. Beams F-40° and W-55° reflectors are included.)

\* Lumens and CBCP are reference values for 3000K trim with **3** housing. Use multiplier table below to determine the output for other combinations.

Multiplier	TRIM			
	927	930	935	940
<b>HOUSING</b>				
<b>3</b>	0.95	1.00	1.02	1.06
<b>2</b>	0.83	0.87	0.89	0.92
<b>1</b>	0.61	0.64	0.65	0.68

Example: **R2FRDL-930-BK** N-25° beam in **1** housing: 2045 lm (Reference Output) x 0.64 (Multiplier) = 1310 lm  
5610 CBCP (Reference Output) x 0.64 (Multiplier) = 3590 CBCP

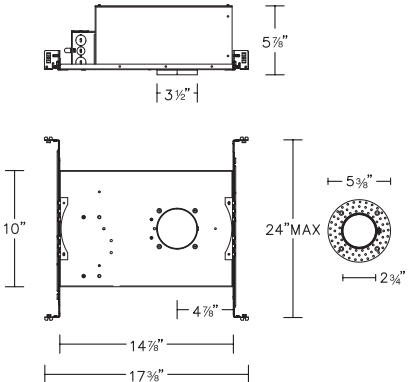
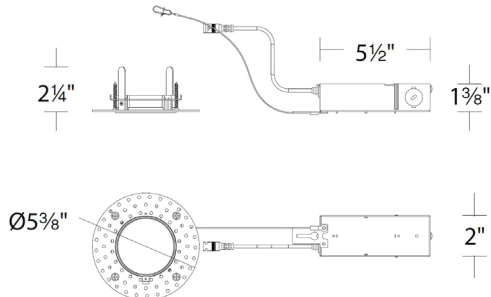
Please see next page for housing units (required)

wacighting.com	Headquarters, East Manufacturing Facility	South East Manufacturing Facility	Central Manufacturing Facility	West Manufacturing Facility
Phone (800) 526.2588	44 Harbor Park Drive	1600 Distribution Ct	1700 South J Elmer Freeway, Ste 100	1750 S Archibald Ave
Fax (800) 526.2585	Port Washington, NY 11050	Lithia Springs, GA 30122	Cedar Hill, TX 75104	Ontario, CA 91761

# R2FRDL

## 2" FQ - Round Downlight Trimless



HOUSING (Required)	Model	Power	Emergency Backup
<p>New Construction IC Airtight</p> 	<p><b>R2FRNL</b></p>	<p><b>1</b> 15W IC <b>2</b> 21W IC <b>3</b> 25W Non-IC</p>	<p>N/A</p>
<p>Remodel Non-IC</p> 	<p><b>R2FRRL</b></p>	<p><b>1</b> 15W Non-IC <b>2</b> 21W Non-IC <b>3</b> 25W Non-IC</p>	<p>N/A</p>

R2FR\_\_ - \_\_

Example: R2FRNL-3

### GLARE CONTROL ACCESSORIES

<p><b>LENS-11-HCM</b> <b>LENS-11P-CRL-BK</b></p>	<p><i>Honeycomb Louver</i> <i>Cross Louver</i></p>
--	--

### LENS ACCESSORIES

<p><b>LENS-11</b></p>	<p><b>AMB</b> <b>RED</b> <b>BLU</b> <b>GRN</b> <b>SPR</b> <b>BEL</b></p>	<p><i>Amber</i> <i>Red</i> <i>Blue</i> <i>Green</i> <i>Spread</i> <i>Beam Elongating</i></p>
-----------------------	--	--

wacighting.com

Phone (800) 526.2588  
Fax (800) 526.2585

**Headquarters, East Manufacturing Facility**  
44 Harbor Park Drive  
Port Washington, NY 11050

**South East Manufacturing Facility**  
1600 Distribution Ct  
Lithia Springs, GA 30122

**Central Manufacturing Facility**  
1700 South J Elmer Freeway, Ste 100  
Cedar Hill, TX 75104

**West Manufacturing Facility**  
1750 S Archibald Ave  
Ontario, CA 91761