

R2FRWL

2" FQ - Round Wall Wash Trimless



Fixture Type:

Catalog Number:

Project: _____

Location: _____

PRODUCT DESCRIPTION

The FQ Recessed series offers a complete line of high performance LED luminaires that provide outstanding functionality and quality. The series features superlative glare control with 30° shielding, 35° vertical tilting and 360° horizontal rotation, and uniform floor-to-ceiling wall washing. Multiple power level options and a full line of round and square, trimmed and trimless luminaires offer versatile solutions for various lighting applications. Easy to order, install, and service.

FEATURES

- Two-piece die-cast construction
- Light engine mounted on trim with springs for easy replacement
- 365° horizontal rotation
- Designed for even wall illumination both vertically and horizontally
- 5 year WAC Lighting product warranty

SPECIFICATIONS

- Construction:** Durable die-cast aluminum construction
- Input** Universal 120-277V AC 50/60 Hz
- Dimming:** Electronic Low Voltage (ELV): 100%-1%
TRIAC: 100%-1%
0-10V: 100-1%
- Light Source:** High output 3-step Mac Adam Ellipse COB
Rated life of 50,000 hours at L70
- Mounting:** Heavy gauge retention clips support trim firmly.
Safety cabling standard. Ceiling cutout: Ø 3 1/2"
Accommodates 1/2" - 1" ceiling thickness
- Finish:** Electrostatically powder coated White, Black, Dark Bronze. Enamel coated Haze.
- Standards:** ETL & cETL Wet Location Listed,
Title 24 JA8 Compliant.

	Model	Beam	*Lumens	*CBCP	Color Temp	CRI	Finishes	Reflector/Trim
	R2FRWL Round Trimless	A Asym	1465	N/A	930 3000K	90	BK DB HZ WT	<i>Black</i> <i>Dark Bronze</i> <i>Haze</i> <i>White</i>

R2FRWL-__-__

Example: **R2FRWL-927-BK**

* Lumens and CBCP are reference values for 3000K trim with 3 housing. Use multiplier table below to determine the output for other combinations.

Multiplier	TRIM				
	927	930	935	940	
HOUSING	3	0.95	1.00	1.02	1.06
	2	0.83	0.87	0.89	0.92
	1	0.61	0.64	0.65	0.68

Example: **R2FRWL-930-WT** with **1** housing: 1465 lm (Reference Output) x 0.64 (Multiplier) = 935 lm

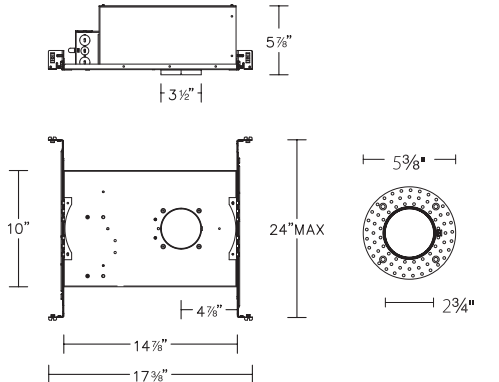
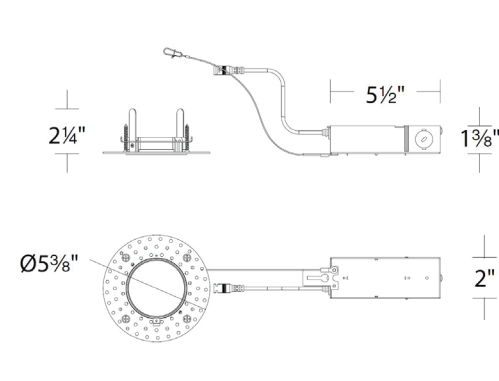
Please see next page for housing units (required)

wacighting.com	Headquarters, East Manufacturing Facility	South East Manufacturing Facility	Central Manufacturing Facility	West Manufacturing Facility
Phone (800) 526.2588	44 Harbor Park Drive	1600 Distribution Ct	1700 South J Elmer Freeway, Ste 100	1750 S Archibald Ave
Fax (800) 526.2585	Port Washington, NY 11050	Lithia Springs, GA 30122	Cedar Hill, TX 75104	Ontario, CA 91761

R2FRWL

2" FQ - Round Wall Wash Trimless



<i>HOUSING (Required)</i>		<i>Model</i>	<i>Power</i>	<i>Emergency Backup</i>
New Construction IC Airtight		R2FRNL	1 15W IC 2 21W IC 3 25W Non-IC	N/A
Remodel Non-IC		R2FRRL	1 15W Non-IC 2 21W Non-IC 3 25W Non-IC	N/A

R2FR-____-____

Example: **R2FRNL-1**