



Color: White

Weight: 0.5 lbs

Project:	Type:
Prepared By:	Date:

Driver Info		LED Info	
Type	Constant Current	Watts	14/11/7.5W
120V	0.13A	Color Temp	2700/3000/3500/4000/5000K
208V	N/A	Color Accuracy	90 CRI
240V	N/A	L70 Lifespan	50,000 Hours
277V	N/A	Lumens	1300/1050/750 lm
Input Watts	14/11/7.5W	Efficacy	93

Technical Specifications

Performance

Product Type:
Retrofit Downlight

Description:
Available in 4" and 6" models with 3 power settings and 5 field-adjustable color temperatures. Offered with smooth or baffle trims. Ideal for applications with tighter budgets.

Wattage Equivalency:
75W Halogen

Input Wattage:
7.5/11/14W

Nominal Lumens:
750/1050/1300lm

Efficacy:
93lm/W

L70 Lifespan:
50,000-Hour LED lifespan based on IES LM-70 results

Electrical

Driver:
Constant Current

THD:
≤20%

Power Factor:
≥0.9

Dimmable:
Yes, dimmable down to 0% on compatible TRIAC/ELV dimming systems. See Dimmer Compatibility List.

Input Voltage:
120V

Operating Frequency:
60 Hz

Input Current @ 120V (mA):
130mA

Operating Temperature:
-4°F to 104°F (-20°C to 40°C)

Flicker:
≤30%

LED Characteristics

Beam Angle:
85°±10°

Color Temperature:
Field adjustable via dip switch
2700/3000/3500/4000/5000K

Color Accuracy (CRI):
90 CRI

R9 Value:
High color performance with R9 greater than 50

Color Consistency:
<4-step MacAdam Ellipse binning to achieve consistent fixture-to-fixture color (2700K/5000K)

Color Stability:
LED color temperature is warranted to shift no more than 200K in color temperature over a 5-year period

Color Uniformity:
RAB's range of Correlated Color Temperature follows the guidelines of the American National Standard for Specifications for the Chromaticity of Solid State Lighting (SSL) Products, ANSI C78.377-2017.

Technical Specifications (continued)

Installation

Mounting:

Recessed with housing

Base Type:

E26 Edison

Construction

Size:

6"

Shape:

Round

Finish:

White

Enclosure Material:

Metal

Trim Style:

Baffle

Lens Finish:

Clear

Lens:

Single optic and full face lens for precise beam angle control

Compliance

Listings:

UL Classified, UL Recognized

Environment:

Suitable for use indoors and outdoors in dry, damp, or wet environments.

IC Rated:

No

Air Tight:

No

Energy Star Approved:

This product is ENERGY STAR® Certified.

DLC Listed:

No

Certification Model Number:

DLR0164(R34X-6B)

California Title 20 Compliant:

Can be used to conform with the requirements of California Title 20

California Title 24 JA8 Compliant:

Can be used to conform with the requirements of California Title 24 Part 6

California Energy Commission (CEC) Status:

Lawful for Sales in California

NEC Compliant:

Suitable for use in closets. Compliant with NEC Sec. 410.16 (A)(1) and 410.16 (C3).

IESNA LM-79 & LM-80 Testing:

RAB LED luminaires and LED components have been tested by an independent laboratory in accordance with IESNA LM-79 and LM-80.

RoHS:

Mercury and UV free. RoHS-compliant components.

FCC:

Complies with Part 15 of the FCC Rules

Other

Compatible Accessories:

RFLED-GOOF-6R-8R-W
6"-8" Goof ring round white

DLTRIM/R6RS-BN
6" Color trim round smooth brushed nickel

DLTRIM/R6RS-BRZ
6" Color trim round smooth bronze

DLTRIM/R6RS-B
6" Color trim round smooth black

DLTRIM/R6RB-BN
6" Color trim round baffle brushed nickel

DLTRIM/R6RB-BRZ
6" Color trim round baffle bronze

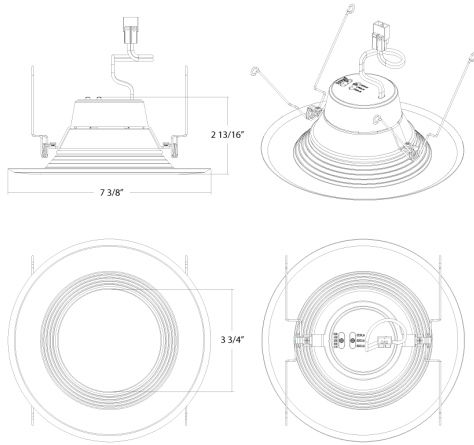
DLTRIM/R6RB-B
6" Color trim round baffle black

RFLED-RETROBAND
6" Retrofit band

Warranty:

RAB warrants that our LED products will be free from defects in materials and workmanship for a period of five (5) years from the date of delivery to the end user, including coverage of light output, color stability, driver performance and fixture finish. RAB's warranty is subject to all terms and conditions found at rablighting.com/warranty.

Dimensions



Features

- Use to replace traditional halogen and incandescent light sources
- Field-adjustable wattage and color temperature
2700/3000/3500/4000/5000K
- Compatible with most standard recessed housings
- E26 Edison base adapter included
- Dimmable with TRIAC/ELV, see dimmer compatibility list

Ordering Matrix

Family	Size/Wattage	Shape	CRI/Color Temp	Driver	Finish	Trim
R34X	6					B
	4 = 4", 7/6/5W 6 = 6", 14/11/7.5W	Blank = Round	Blank = 90 CRI, 2700/3000/3500/4000/5000K CCT Adjustable	Blank = 120V	Blank = White	Blank = Smooth B = Baffle