

<b>Project:</b>	<b>Type:</b>
<b>Prepared By:</b>	<b>Date:</b>

Driver Info		LED Info	
Type	Constant Current	Watts	9W
120V	0.08A	Color	CCT Adjustable
208V	N/A	Temp	2700/3000/3500/4000/5000K
240V	N/A	Color Accuracy	90 CRI
277V	N/A	L70 Lifespan	50,000 Hours
Input Watts	9W	Lumens	650 lm
		Efficacy	72.22

## Technical Specifications

### Performance

**Product Type:**

Recessed Downlights

**Description:**

Remote driver downlights are great for new construction and retrofit applications. Downlights provide small-aperture aesthetic, available in recessed, deep recessed and gimbal models in 2", 3", and 4" sizes.

**Wattage Equivalency:**

65W Incandescent

**Input Wattage:**

9W

**Lumens:**

2700K @ 634lm; 3000K @ 676lm; 3500K @ 716lm; 4000K @ 736lm; 5000K @ 752lm

**Efficacy:**

2700K @ 74lm/W; 3000K @ 80lm/W; 3500K @ 87lm/W; 4000K @ 89lm/W; 5000K @ 88lm/W

**L70 Lifespan:**

50,000-Hour LED lifespan based on IES LM-70 results

### Electrical

**Driver:**

Constant Current, Class 2, 60 Hz, 120V 0.08A

**THD:**

≤25%

**Power Factor:**

≥0.9

**Dimmable:**

Yes, dims down to 10% on compatible TRIAC/ELV systems. See Dimmer Compatibility List on [rablighting.com](http://rablighting.com).

**Input Voltage:**

120V

**Operating Frequency:**

60 Hz

**Input Current @ 120V (mA):**

77mA

**Operating Temperature:**

-13°C to 104°F (-25°C to 40°C)

**MBCP:**

1,395

### Flicker:

≤30%

### LED Characteristics

**Beam Angle:**

38°±5°

**Color Temperature:**

Field adjustable via dip switch  
2700/3000/3500/4000/5000K

**Color Accuracy (CRI):**

>90 CRI

**R9 Value:**

High color performance with R9 greater than or equal to 50

**Color Consistency:**

4-step MacAdam Ellipse binning to achieve consistent fixture-to-fixture color

**Color Stability:**

LED color temperature is warrantied to shift no more than 200K in color temperature over a 5-year period

**Color Uniformity:**

RAB's range of Correlated Color Temperature follows the guidelines of the American National Standard for Specifications for the Chromaticity of Solid State Lighting (SSL) Products, ANSI C78.377-2017.

## Technical Specifications (continued)

### Installation

#### Mounting:

Recessed, no housing required

### Construction

#### Size:

3"

#### Shape:

Square

#### Finish:

White

#### Enclosure Material:

Metal

#### Trim Style:

Baffle

#### Lens:

Polycarbonate light diffuser distributes light evenly and smoothly for general lighting applications

#### Listings:

ETL Listed

#### Air Tight:

Housing certified Air Tight as per ASTM E283

### Compliance

#### Environment:

Suitable for use in dry, damp, and wet environments.

#### IC Rated:

Suitable for direct contact with insulation. Type IC inherently protected, suitable for direct contact to air permeable insulation and cULus listed for damp locations. Not for use in direct contact with spray foam insulation, consult NEMA LSD57-2013.

#### Energy Star Approved:

This product is ENERGY STAR® Version 2.2 Certified.

#### Certification Model Number:

DLR0139(R3S-9B)

#### T20 Compliant:

No, this product does not meet California Title 20 requirements.

#### California Title 24 JA8 Compliant:

Can be used to conform with the requirements of California Title 24 Part 6

#### California Energy Commission (CEC) Status:

Lawful for Sales in California

#### NEC Compliant:

Suitable for use in closets. Compliant with NEC Sec. 410.16 (A)(1) and 410.16 (C3).

#### IESNA LM-79 & LM-80 Testing:

RAB LED luminaires and LED components have been tested by an independent laboratory in accordance with IESNA LM-79 and LM-80.

#### RoHS:

Mercury and UV free. RoHS-compliant components.

#### FCC:

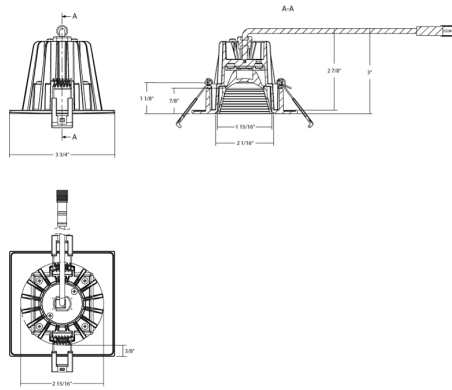
Complies with Part 15B of the FCC Rules

### Other

#### Warranty:

RAB warrants that our LED products will be free from defects in materials and workmanship for a period of five (5) years from the date of delivery to the end user, including coverage of light output, color stability, driver performance and fixture finish. RAB's warranty is subject to all terms and conditions found at [rablighting.com/warranty](http://rablighting.com/warranty).

**Dimensions**



**Features**

- L5 color temperatures in 1 SKU (2700K, 3000K, 3500K, 4000K, 5000K)
- Deep regress remote driver downlight
- No recessed housing or J-box required
- New construction or retrofit applications
- Spring loaded retention clips

**Ordering Matrix**

Family	Size	Shape	Wattage	Beam Angle	CRI/Color Temp	Driver	Finish	Trim
R	3	S	9					B
	3 = 3"	S = Square Blank = Round	15 = 15W 9 = 9W	Blank = 38°	Blank = 90CRI, 2700/3000/3500/4000/5000K CCT Adjustable	Blank = 120V	Blank = White	Blank = Smooth B = Baffle