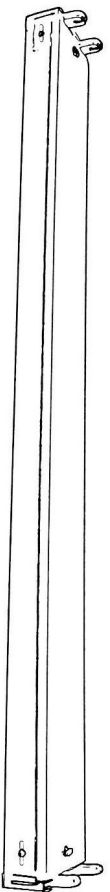


Strip Fixture Retro Kit — Installation



Shown above is a 4ft strip fixture with ballast cover. End socket brackets are placed at each end of the fixture. 8ft fixtures (at right and bottom) contain middle socket brackets as well.

FIGURE 5

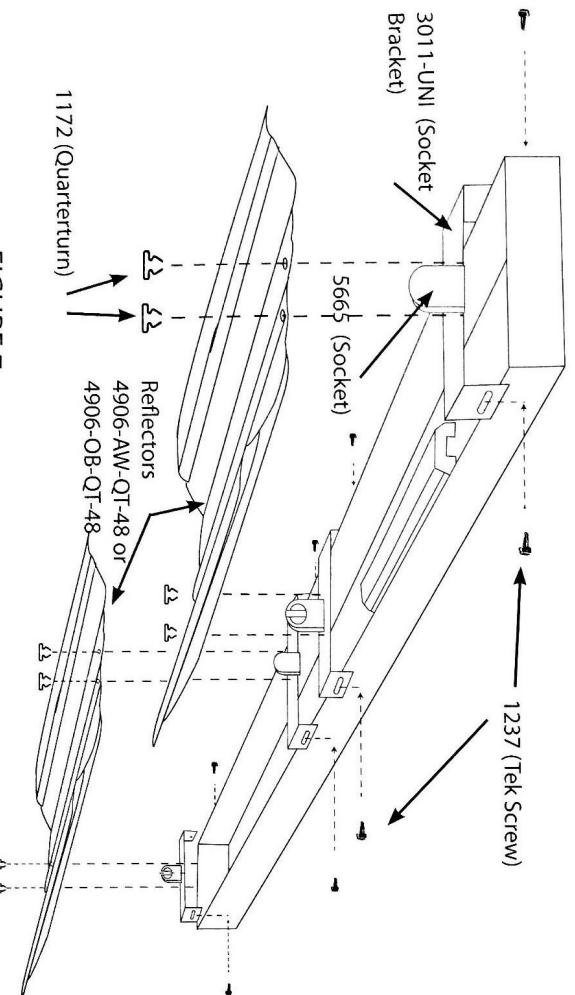


FIGURE 7

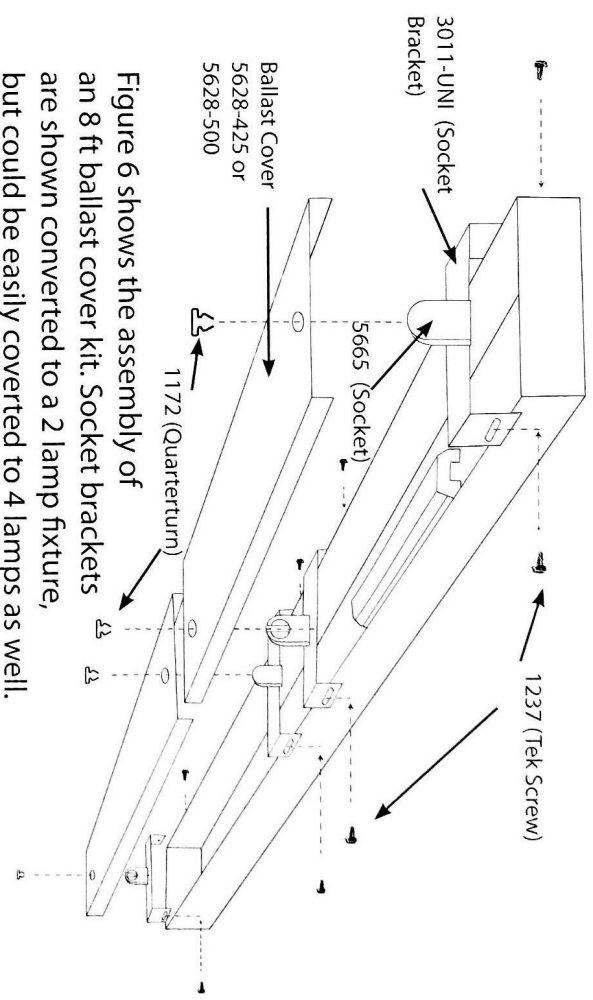


FIGURE 6

Figure 7 at left shows the assembly of an 8ft reflector kit. The only difference is the use of reflectors instead of ballast covers. Plastic aligner clips are also placed on adjoining reflectors allowing them to remain even.

Figure 8, at right, shows placement of the aligning clip which is used to maintain even edges on adjoining reflectors.

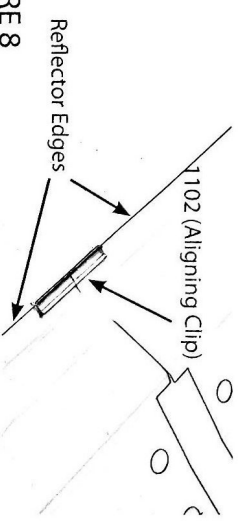


FIGURE 8