

# R4FSWL

## 4" FQ - Square Wall Wash Trimless



Fixture Type:

Catalog Number:

Project: \_\_\_\_\_

Location: \_\_\_\_\_

### PRODUCT DESCRIPTION

The FQ Recessed series offers a complete line of high performance LED luminaires that provide outstanding functionality and quality. The series features superlative glare control with 30° shielding, 45° vertical tilting and 360° horizontal rotation, and uniform floor-to-ceiling wall washing. Multiple power level options and a full line of round and square, trimmed and trimless luminaires offer versatile solutions for various lighting applications. Easy to order, install, and service.

### FEATURES

- Two-piece die-cast construction
- Light engine mounted on trim with springs for easy replacement
- Designed for even wall illumination both vertically and horizontally
- 5 year WAC Lighting product warranty

### SPECIFICATIONS

- Construction:** Durable die-cast aluminum construction
- Input:** Universal 120-277V AC 50/60 Hz
- Dimming:** Electronic Low Voltage (ELV): 100%-1%  
TRIAC: 100%-1%  
0-10V: 100-1%
- Light Source:** High output 3-step Mac Adam Ellipse COB  
Rated life of 50,000 hours at L70
- Mounting:** Heavy gauge retention clips support trim firmly.  
Safety cabling standard. Ceiling cutout: Ø 4 3/4"  
Accommodates 1/2" - 1" ceiling thickness
- Finish:** Electrostatically powder coated White, Black, Dark Bronze. Enamel coated Haze.
- Standards:** ETL & cETL Wet Location Listed,  
Title 24 JA8 Compliant.

	Model	Beam	*Lumens	*CBCP	Color Temp	CRI	Finishes	Reflector/Trim
	<b>R4FSWL</b> Square Trimless	A Asym	1865	N/A	<b>930</b> 3000K	90	<b>BK</b> <b>DB</b> <b>HZ</b> <b>WT</b>	Black Dark Bronze Haze White

### R4FSWL-\_\_-\_\_

Example: **R4FSWL-930-WT**

\*Lumens shown in the table are reference values for 3000K trim with 4 housing. Use multiplier table below to determine the output for other combinations.

Multiplier	TRIM				
	927	930	935	940	
<b>HOUSING</b>	<b>4</b>	0.95	1.00	1.02	1.06
	<b>3</b>	0.84	0.88	0.90	0.93
	<b>2</b>	0.65	0.68	0.70	0.72
	<b>1</b>	0.45	0.47	0.48	0.50

Example: **R4FSWL-930-WT** with 1 housing: 1865 lm (Reference Output) x 0.47 (Multiplier) = 875 lm

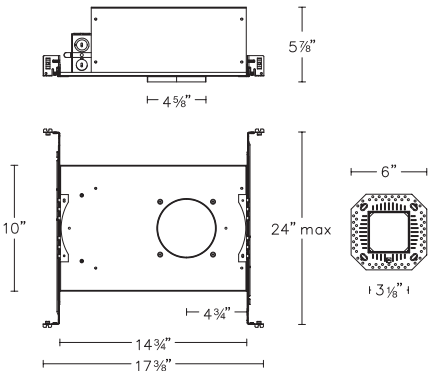
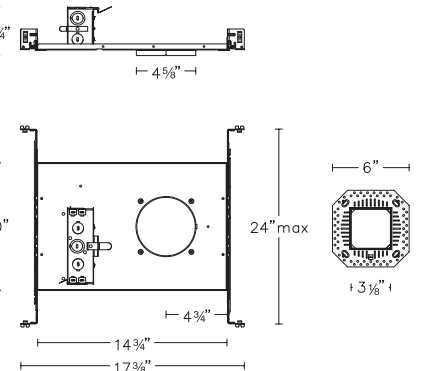
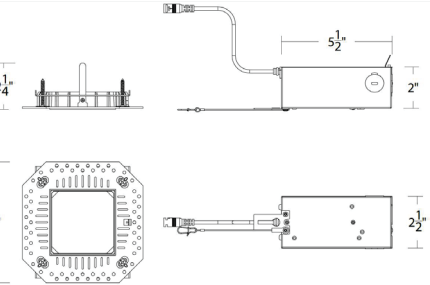
Please see next page for housing units (required)

wacighting.com	Headquarters, East Manufacturing Facility	South East Manufacturing Facility	Central Manufacturing Facility	West Manufacturing Facility
Phone (800) 526.2588	44 Harbor Park Drive	1600 Distribution Ct	1700 South J Elmer Freeway, Ste 100	1750 S Archibald Ave
Fax (800) 526.2585	Port Washington, NY 11050	Lithia Springs, GA 30122	Cedar Hill, TX 75104	Ontario, CA 91761

# R4FSWL

## 4" FQ - Square Wall Wash Trimless



HOUSING (Required)	Model	Power	Emergency Backup
<p>New Construction IC Airtight</p> 	<b>R4FSNL</b>	<p><b>1</b> 13W IC  <b>2</b> 19W IC  <b>3</b> 25W IC  <b>4</b> 28W Non-IC</p>	N/A
<p>New Construction Frame-in Non-IC</p> 	<b>R4FSFL</b>	<p><b>1</b> 13W Non-IC  <b>2</b> 19W Non-IC  <b>3</b> 25W Non-IC  <b>4</b> 28W Non-IC</p>	N/A
<p>Remodel Non-IC</p> 	<b>R4FSRL</b>	<p><b>1</b> 13W Non-IC  <b>2</b> 19W Non-IC  <b>3</b> 25W Non-IC  <b>4</b> 28W Non-IC</p>	N/A

R4FS-\_\_\_\_-\_\_\_\_

Example: R4FSNL-1

wacighting.com

Phone (800) 526.2588

Fax (800) 526.2585

Headquarters, East Manufacturing Facility

44 Harbor Park Drive

Port Washington, NY 11050

South East Manufacturing Facility

1600 Distribution Ct

Lithia Springs, GA 30122

Central Manufacturing Facility

1700 South J Elmer Freeway, Ste 100

Cedar Hill, TX 75104

West Manufacturing Facility

1750 S Archibald Ave

Ontario, CA 91761