

Technical Specifications (continued)**Trim Style:**

Smooth

Lens:

Polycarbonate light diffuser distributes light evenly and smoothly for general lighting applications

Cut Out Template Size:

6 5/16"

Compliance**Listings:**

UL Listed, UL Recognized

Environment:

Suitable for use in dry, damp, and wet environments.

IC Rated:

No

Air Tight:

No

DLC Listed:

No

T20 Compliant:

Can be used to conform with the requirements of California Title 20

California Title 24 JA8 Compliant:

Can be used to conform with the requirements of California Title 24 Part 6

California Energy Commission (CEC) Status:

Lawful for Sales in California

NEC Compliant:

Suitable for use in closets. Compliant with NEC Sec. 410.16 (A)(1) and 410.16 (C3).

IESNA LM-79 & LM-80 Testing:

RAB LED luminaires and LED components have been tested by an independent laboratory in accordance with IESNA LM-79 and LM-80.

RoHS:

Mercury and UV free. RoHS-compliant components.

FCC:

Complies with Part 15B of the FCC Rules

Energy Star Approved:

ENERGY STAR® Version 1.0 Certified

Certification Model Number:

DLW0086(WFRLA4R89FA120WS)

\

Other**Accessories:**[RFLED-RETROBAND](#)

Retrofit Band

[RFLED-GOOF-6R-8R-W](#)

6"-8" Goof Ring

[DLTRIM/R6RS-BN](#)

6" Smooth Brushed Nickel Color Trim

[DLTRIM/R6RS-BRZ](#)

6" Round Smooth Bronze Color Trim

[DLTRIM/R6RS-B](#)

6" Round Smooth Black Color Trim

[DRI-25-EMGR-DC](#)

Battery Backup Driver

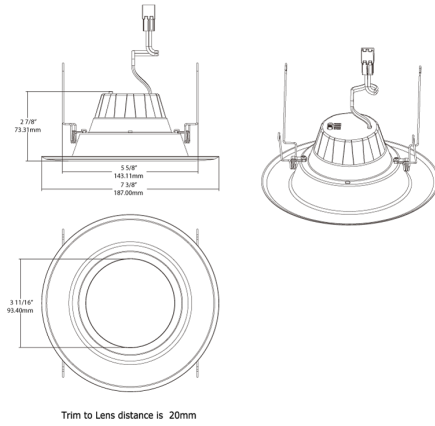
[DRI-21-EMGR-DC-D10](#)

Battery Backup Driver T20

Warranty:

RAB warrants that our LED products will be free from defects in materials and workmanship for a period of five (5) years from the date of delivery to the end user, including coverage of light output, color stability, driver performance and fixture finish. RAB's warranty is subject to all terms and conditions found at rablighting.com/warranty.

Dimensions



Features

- Use to replace traditional halogen and incandescent light sources
- Durable metal construction: dent and scratch resistant
- 5 Color temperature selectable 2700K, 3000K, 3500K, 4000K, & 5000K
- Compatible with most standard recessed housings
- Color trims sold separately

Ordering Matrix

Family	Size	Shape	Wattage	CRI/Color Temp	Driver	Finish	Trim
R	6	R	14	9FA	120	W	S
	4 = 4" 6 = 6"	R = Round	8 = 8W 10 = 10W 11 = 11W 14 = 14W	9FA = 90 CRI, CCT Adjustable	120 = 120V	W = White	B = Baffle S = Smooth