

Aluminum Pole Slipfitters for mounting fixtures or boxes to top of poles or posts. 1/2" top tap standard. 3/4" top tap on R5-3/4 and R7-3/4 only. Set screws provided.

Color: Natural

Weight: 0.2 lbs

Project:	Type:
Prepared By:	Date:

### Technical Specifications

#### Compliance

**UL Listed:**

Suitable for wet locations

**Trade Agreements Act Compliant:**

This product is a product of Cambodia and a "designated country" end product that complies with the Trade Agreements Act

#### Other

**Outlet Box Construction:**

Precision die cast aluminum

#### Installation

**Outlet Box Mounting Lugs:**

16 gauge corrosion protected steel with Phillips Flat head mounting screws

#### Construction

**Ground Screw:**

#10-24 Green corrosion protected steel slotted hex washer head screw provided in pre-tapped hole

**Fits Pipe:**

2"

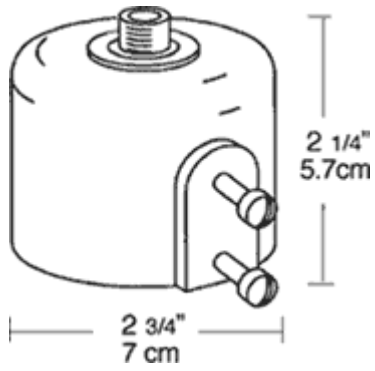
**Pipe O.D.:**

2 3/8

**Material:**

Aluminum

**Dimensions**



**Features**

- Heavy die cast aluminum
- Set screws provided