

PROJECT NAME: _____ CAT. #: _____
 NOTES: _____ FIXTURE SCHEDULE: _____

C-MAX EASYRF™ RECTANGULAR AND ROUND SENSORS

RF-RDMSW



RF-RTPSW

Applications:

Ideal for retrofit or new construction applications:

- Industrial
- Warehouse
- Schools
- Commercial

EasyRF Overview:

EasyRF is a room-based wireless lighting control system designed for effortless integration of luminaire-level lighting controls (LLLC) in both new construction and retrofit projects. As part of the versatile and multi-tiered c-Max Lighting controls platform, EasyRF simplifies commissioning by enabling groupable wireless controls without the need for a mobile app or gateway. Compliant with energy codes and budget-friendly, EasyRF provides an effortless solution for your lighting control needs for any small to medium size projects.

Features:

- Groupable Wireless Controls: Sensors can be zoned and grouped with ease. Includes many functional features typically available with Network controls
- Simple "Plug-and-Play" Connection - Easy to install in the field with pre-installed USB-C receptacle in Maxlite Controls Ready luminaires
- Easy commissioning: Quick setup with an hand-held remote on-screen display with no need for mobile apps or complex software
- Bi-directional communication: Easily Read and Write sensor settings. IR transmission range up to 50 feet between remote and sensor
- Granular dimming: Precisely control light levels in 1% increment. Ability to customize fade time for better dimming transitions
- Zoning: Customize channels and floors for multi-floor fit-outs. Up to 50 channels and 8 floors with capability to group up to 50 devices per channel
- Network : Sub-GHz RF system with ability for signals to travel longer distances. Up to 250 feet node-to-node communication range (line of sight)
- Advanced sensors: Control persistence with motion sensing (bi-level dimming), high trim, daylight harvesting, low trim, daylight trim and repeater functionality
- Extend coverage by configuring sensor as a repeater ensuring robust network performance
- Versatile operation mode: Supports both occupancy and vacancy modes. with ability to create a daylight zone within a zone
- Personal controls: Supports Manual ON/OFF. Automatic ON/OFF and Automatic Partial ON/OFF control capability
- Includes locking screw to resist vandalism and withstand vibration (Requires 2.5mm Allen wrench)
- Check <https://www.maxlite.com/cmax> for c-Max fixture compatibility
- 5 Year Warranty

Ordering Information

MODEL NUMBER	DESCRIPTION	UPC	ORDER CODE
RF-RTPSW	EASYRF NODE RECTANGULAR, PIR MOTION SENSOR/DAYLIGHT HARVESTING, WHITE	767627056666	110961
RF-RDMSW	EASYRF ROUND, PIR MOTION SENSOR/DAYLIGHT HARVESTING, WHITE	767627065941	111891
RF-REMOTE	EASYRF REMOTE CONTROL COMMISSIONING TOOL	767627056673	110962
WRF2RB-W	EASYRF DOUBLE ROCKER BATTERY WALL SWITCH WHITE	767627062278	111521



5-year standard warranty (further details available at www.maxlite.com/warranties)

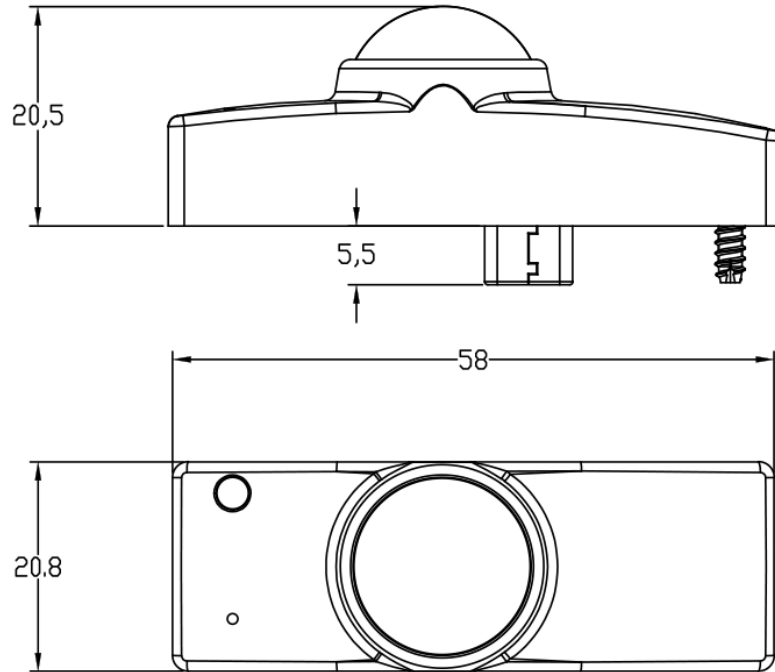
C-MAX EASYRF™ RECTANGULAR AND ROUND SENSORS

Specifications	RF-RTPSW	RF-RDMSW
SUB-G CONTROL NODE	Yes	Yes
DAYLIGHT HARVESTING	Yes	Yes
PIR MOTION SENSOR	Yes	Yes
WEIGHT	1.92oz (55g)	0.45oz (14g)
OVERALL DIMENSIONS	Ø67mm x 48.2mm	58 mm x 20.8 mm x 20.5 mm
DETECTION MODE	Occupancy/Vacancy	
CONNECTOR PORT	USB-C	
OPERATING VOLTAGE	12-24Vdc	
OPERATING CURRENT	max 15mA	
SINKING CURRENT	max 10mA	
CONTROL OUTPUT	Analog 0-10V (Linear)	
FACTORY RESET	via RF-REMOTE	
WIRELESS PROTOCOL	Proprietary Sub-GigaHertz*	
COMMISSIONING	IR based via RF-REMOTE (sold separately)	
WIRELESS RANGE	250ft node-to-node (Line of sight)	
STATUS INDICATORS	Green (Network Status), Red (Sensor Detection)	
FCC	47 CFR Part 15, Subpart C 15.247	
OPERATING TEMPERATURE	-4°F to 130°F / -20°C to 55°C	
COLOR	White	

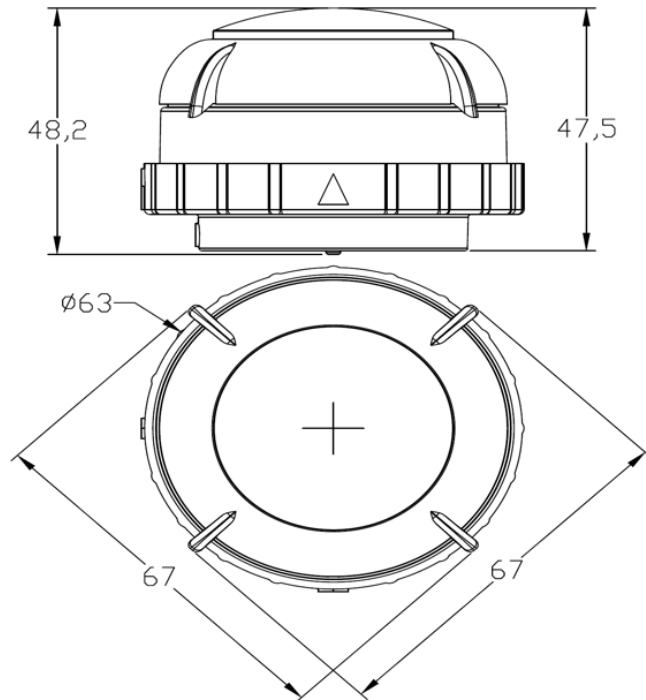
* Not recommended for applications with other high frequency interference

C-MAX EASYRF™ RECTANGULAR AND ROUND SENSORS

Product Dimension



RF-RTPSW

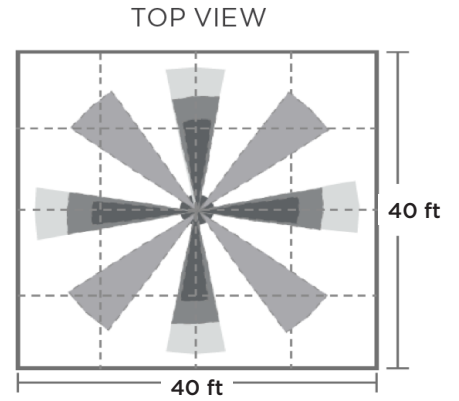
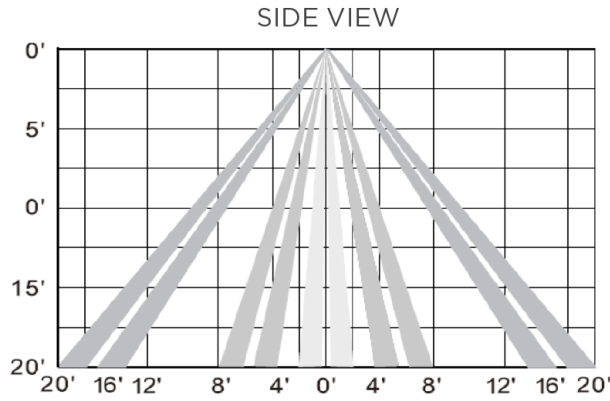


RF-RDMSW

C-MAX EASYRF™ RECTANGULAR AND ROUND SENSORS

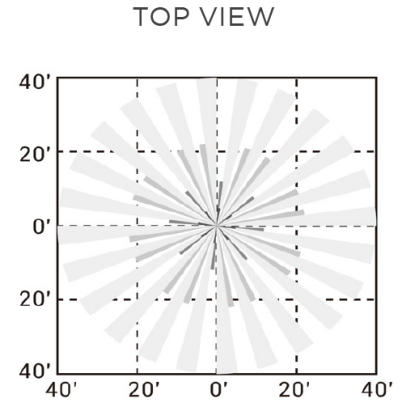
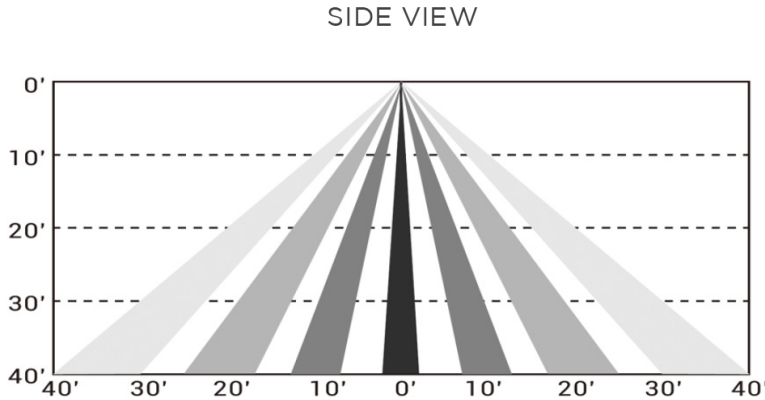
Detection Coverage

RF-RTPSW



MOUNTING HEIGHT	ft (m)	8' (2.4)	10' (3)	15' (4.6)	20' (6)
MAX COVERAGE DIAMETER	ft (m)	16' (2.4)	20' (3)	30' (4.6)	40' (6)

RF-RDMSW



MOUNTING HEIGHT	ft (m)	10' (3)	20' (6)	30' (9.1)	40' (12.2)
MAX COVERAGE DIAMETER	ft (m)	20' (6)	40' (12.2)	60' (18.3)	80' (24.4)

Commissioning Guide

Visit www.maxlite.com/cmox for How-to-Videos and a comprehensive commissioning guide.

