



ALL-IN-ONE DESIGN WITH SOLAR PANEL, LIGHT ENGINE, AND BATTERY BUILT INTO THE FIXTURE. No need for a power source, which eliminates the need for wiring and trenching. High-performance solar controller maximizes solar charge under all conditions.

- Perfect for parks, parking lots, school campuses, etc.
- Advanced new LiFePO4 battery lasts at least 2000 charge cycles and will last three nights w/ one day charge (motion sensing mode)
- 8W comparable to 70W HID
- 30W comparable to 250W HID
- Easily programmable via remote control
- Built-in motion sensor, photo control, & status indicator
- For cold weather projects use our SL-SAL products

↑
ALL-IN-ONE DESIGN

↑
NOW AVAILABLE IN DARK BRONZE



BATTERY CHARGE TIME



BATTERY LIFE



BATTERY CHARGE TEMP



-4°F TO 122°F

OPERATING TEMP






REPLACEABLE BATTERY



TYPE III OPTICS



100,000hrs RATED LIFE

PART #	UPC	COMPARES TO	WATTAGE	LUMENS	CCT	EPA	DIMENSIONS	LISTINGS
● RP-SAL-8W-50K-SF-GY-G2	844006080150	70W HID	8W	1600	5000K	1.82	20.0" x 12.0" x 3.0"	  
● RP-SAL-8W-50K-SF-DB-G2	844006088545							
● RP-SAL-30W-50K-SF-GY-G2	844006080235	250W HID	30W	6000	5000K	4.79	36.0" x 16.8" x 3.8"	
● RP-SAL-30W-50K-SF-DB-G2	844006088552							
● RP-SAL-8W-AMB-SF-GY-G2	844006080310	70W HID	8W	284	580nm AMBER	1.82	20.0" x 12.0" x 3.0"	
● RP-SAL-8W-AMB-SF-DB-G2	844006088569							
● RP-SAL-30W-AMB-SF-GY-G2	844006080358	250W HID	30W	806		4.79	36.0" x 16.8" x 3.8"	
● RP-SAL-30W-AMB-SF-DB-G2	844006088576							

OPERATING MODES

 TIMER |  MOTION SENSING

 TURTLE FRIENDLY ● GRAY ● DARK BRONZE

Light Efficient Design

847.380.3540 • led-llc.com • sales@led-llc.com





PART NUMBER BUILDER

MFR	PRODUCT	WATTAGE	CCT	BRACKET	FINISH	GENERATION
RP	SAL			SF		G2
(REMPHOS)	(SOLAR AREA LIGHT)	8W 30W	30K 50K 40K AMB	SF = ADJUSTABLE SLIP FITTER BRACKET	GY (GREY) DB (DARK BRONZE)	(GENERATION 2)

EXAMPLE PART NUMBER RP-SAL-8W-50K-SF-GY-G2

* PLEASE NOTE, THE RP-SAL COMES STANDARD WITH THE ADJUSTABLE SLIP-FITTER BRACKET ONLY. SEE ORDERING GUIDE FOR ADDITIONAL BRACKETS AVAILABLE FOR PURCHASE.

ORDERING GUIDE - CASE QT = 1

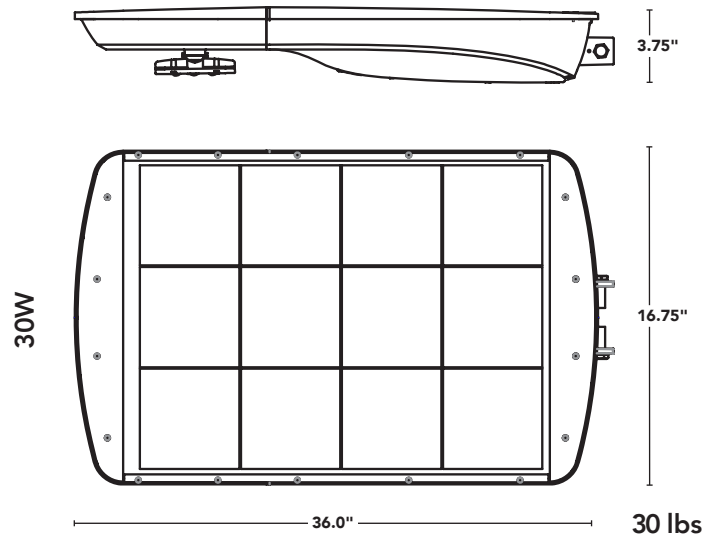
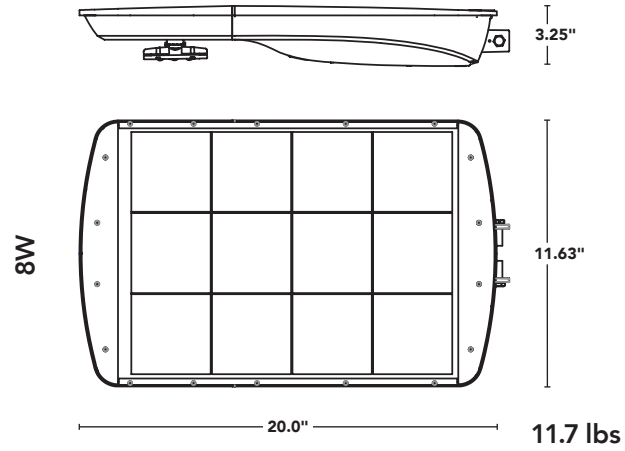
PART #	UPC	QUICK SHIP	LUMENS	WATTAGE	LPW	RECOMENDED MOUNTING HEIGHT
RP-SAL-8W-30K-SF-GY-G2	844006080266		1600	8	200	15FT
RP-SAL-8W-40K-SF-GY-G2	844006080280		1600	8	200	15FT
RP-SAL-8W-50K-SF-GY-G2	844006080150	✓	1600	8	200	15FT
RP-SAL-30W-30K-SF-GY-G2	844006080327		6000	30	200	20FT
RP-SAL-30W-40K-SF-GY-G2	844006080334		6000	30	200	20FT
RP-SAL-30W-50K-SF-GY-G2	844006080235	✓	6000	30	200	20FT
 RP-SAL-8W-AMB-SF-GY-G2	844006080310		284	AMB	N/A	15FT
 RP-SAL-30W-AMB-SF-GY-G2	844006080358		806	AMB	N/A	20FT
RP-SAL-8W-30K-SF-DB-G2	197810001331		1600	8	200	15FT
RP-SAL-8W-40K-SF-DB-G2	197810001348		1600	8	200	15FT
RP-SAL-8W-50K-SF-DB-G2	844006088545	✓	1600	8	200	15FT
RP-SAL-30W-30K-SF-DB-G2	197810001317		6000	30	200	20FT
RP-SAL-30W-40K-SF-DB-G2	197810001324		6000	30	200	20FT
RP-SAL-30W-50K-SF-DB-G2	844006088552	✓	6000	30	200	20FT
 RP-SAL-8W-AMB-SF-DB-G2	844006088569		284	AMB	N/A	15FT
 RP-SAL-30W-AMB-SF-DB-G2	844006088576		806	AMB	N/A	20FT

 TURTLE FRIENDLY

Light Efficient Design

847.380.3540 • led-llc.com • sales@led-llc.com




DIMENSIONS



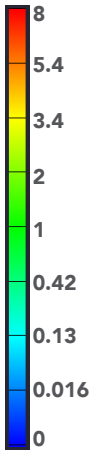
Light Efficient Design

847.380.3540 • led-llc.com • sales@led-llc.com

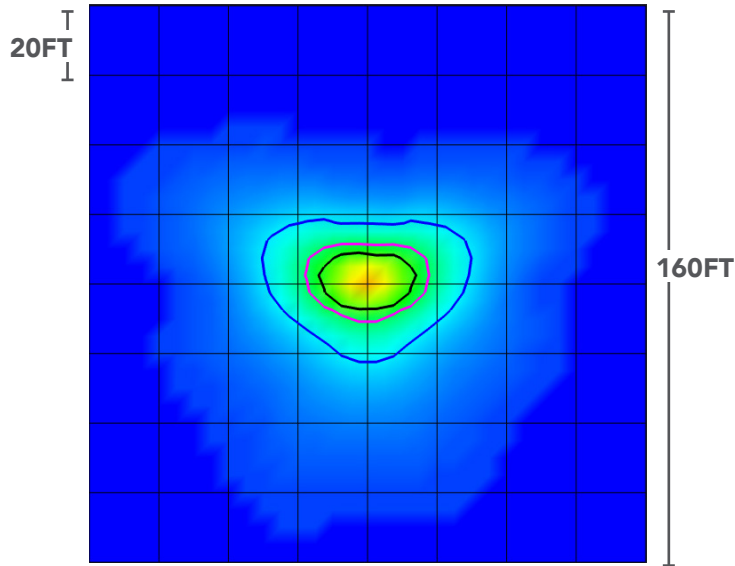
PHOTOMETRICS

FOOT CANDLES	ISO-LINE COLOR
1 FC	BLACK 
0.5 FC	MAGENTA 
0.1 FC	BLUE 

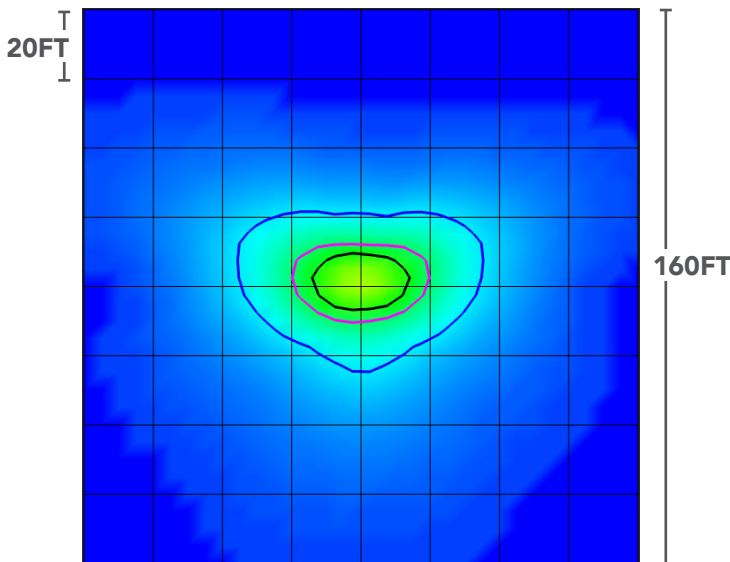
ILLUMINANCE (FC)



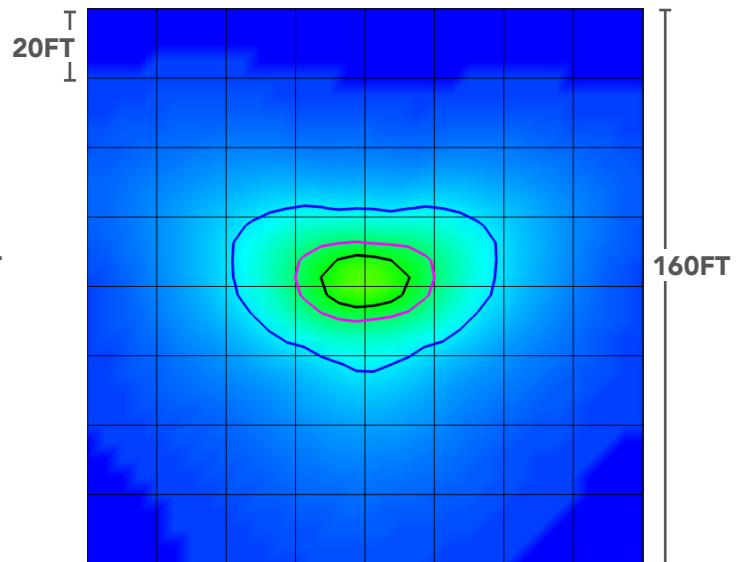
MOUNTING HEIGHT: 8FT



MOUNTING HEIGHT: 12FT



MOUNTING HEIGHT: 15FT



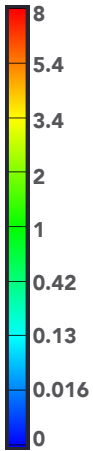
Light Efficient Design

847.380.3540 • led-llc.com • sales@led-llc.com

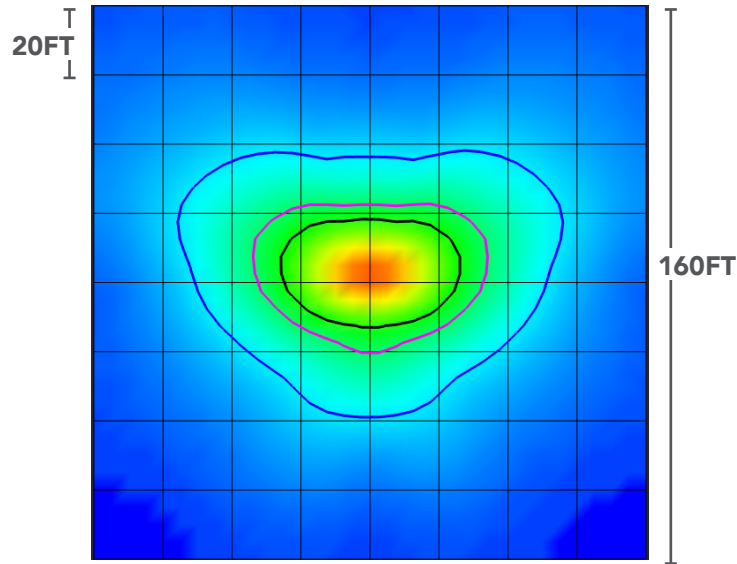
PHOTOMETRICS

FOOT CANDLES	ISO-LINE COLOR
1 FC	BLACK
0.5 FC	MAGENTA
0.1 FC	BLUE

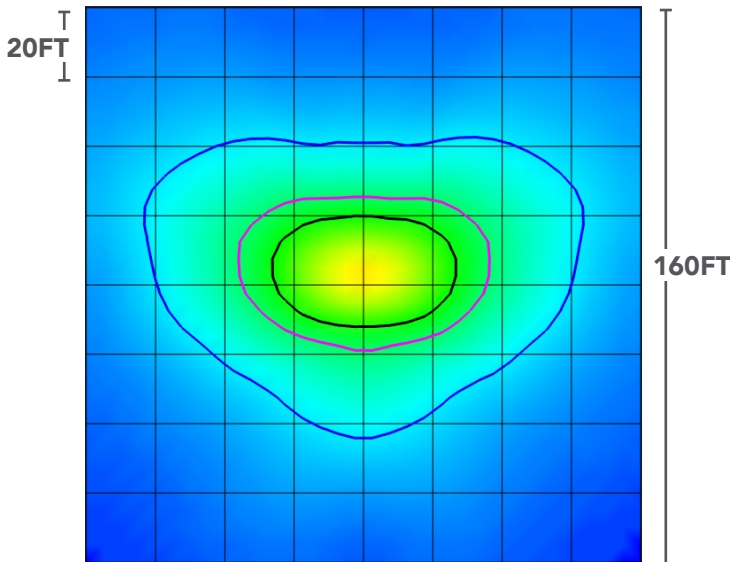
ILLUMINANCE (FC)



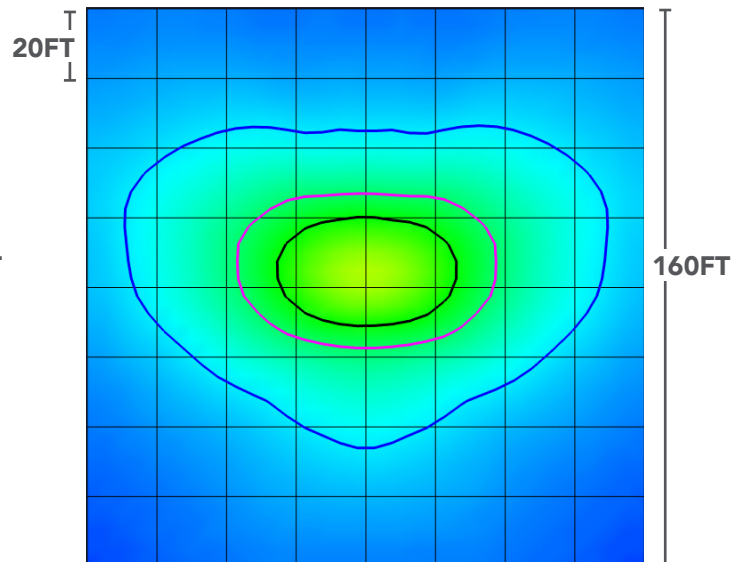
MOUNTING HEIGHT: 15FT



MOUNTING HEIGHT: 20FT



MOUNTING HEIGHT: 25FT



Light Efficient Design

847.380.3540 • led-llc.com • sales@led-llc.com

SOLAR AREA LIGHT ACCESSORIES

PART #	DESCRIPTION	PART #	DESCRIPTION
RP-SAL-BKT-8W-RP-G1	8W ROUND POLE BRACKET - GREY	RP-SAL-BKT-8W-RP-DB	8W ROUND POLE BRACKET - DARK BRONZE
RP-SAL-BKT-8W-SP-G1	8W SQUARE POLE BRACKET - GREY	RP-SAL-BKT-8W-SP-DB	8W SQUARE POLE BRACKET - DARK BRONZE
RP-SAL-BKT-8W-TN-G1	8W TRUNNION BRACKET - GREY	RP-SAL-BKT-8W-TN-DB	8W TRUNNION BRACKET - DARK BRONZE
RP-SAL-BKT-30W-RP-G1	30W ROUND POLE BRACKET - GREY	RP-SAL-BKT-30W-RP-DB	30W ROUND POLE BRACKET -DARK BRONZE
RP-SAL-BKT-30W-SP-G1	30W SQUARE POLE BRACKET - GREY	RP-SAL-BKT-30W-SP-DB	30W SQUARE POLE BRACKET - DARK BRONZE
RP-SAL-BKT-30W-TN-G1	30W TRUNNION BRACKET - GREY	RP-SAL-BKT-30W-TN-DB	30W TRUNNION BRACKET - DARK BRONZE
RP-SAL-REMOTE-G1*	REMOTE CONTROL		
RP-SAL-BIRDCUARD	DETERS BIRDS FROM PERCHING ON FIXTURE		
RP-SAL-CHARGER-G1-60W	AC CHARGER		
RP-SAL-BATTERY-8W-G1	REPLACEMENT BATTERY FOR 8W		
RP-SAL-BATTERY-30W-G1	REPLACEMENT BATTERY FOR 30W		

* INCLUDED STANDARD W/ EACH FIXTURE ORDERED.



ADJUSTABLE SLIP-FITTER BRACKET (SF)
(included w/quick ship models)



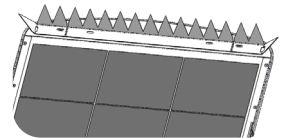
ROUND POLE BRACKET (RP)



SQUARE POLE BRACKET (SP)

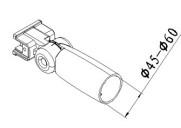
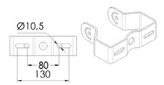

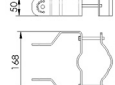
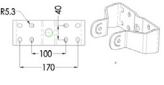
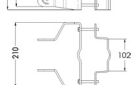



TRUNNION BRACKET (TN)



BIRD GUARD

BRACKET GUIDE

ITEM	SLIP FITTER MOUNTING	U-TRUNNION MOUNTING	SQUARE-HOOP MOUNTING	ROUND-HOOP MOUNTING
8W SOLAR AREA LIGHT	 1.77" - 2.63"	 1. WALL MOUNTED 2. SQUARE POLE ABOVE 3.94"	 1. ROUND POLE: 1.96" - 3.54" 2. SQUARE POLE: 1.96" - 3.54"	 1. ROUND POLE: 1.96" - 4.33"
30W SOLAR AREA LIGHT		 1. WALL MOUNTED 2. SQUARE POLE ABOVE 4.72"	 1. ROUND POLE: 2.36" - 3.94" 2. SQUARE POLE: 1.97" - 3.94"	 1. ROUND POLE: 1.96" - 4.72"

* NOTE - BRACKETS ARE ADJUSTABLE TO FIT ON POLES WITHIN THE DIMENSIONS SHOWN ABOVE

** EXCEPTION - SLIP FITTER BRACKET CAN FIT ON A POLE BETWEEN 1.77" - 2.36"

Light Efficient Design

847.380.3540 • led-llc.com • sales@led-llc.com