



Color: White

Weight: 0.5 lbs

<b>Project:</b>	<b>Type:</b>
<b>Prepared By:</b>	<b>Date:</b>

### Technical Specifications

#### Performance

**Description:**

Round pole adaptor 3.5". Does not support mounting multiple fixtures at 90° orientation.

#### Other

**Compatibility:**

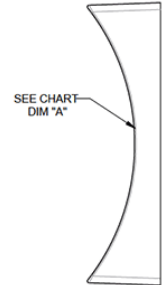
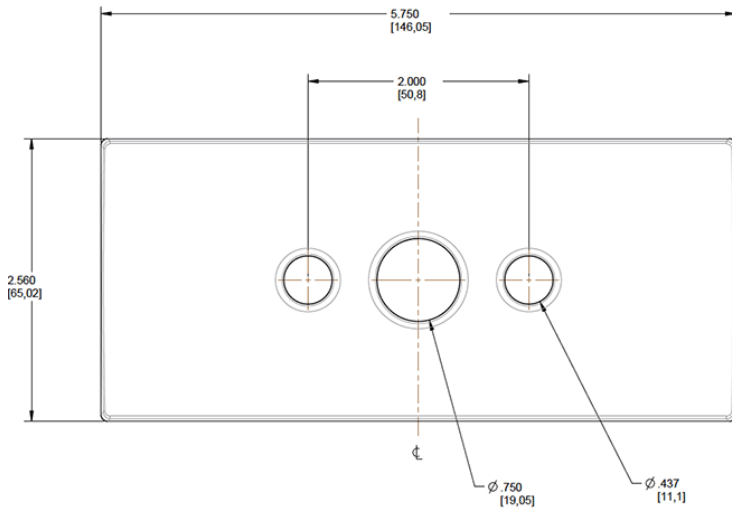
AL, ALX, AJ, ALED52, ALED78, ALED104, ALED105, ALED125 and ALED150

#### Electrical

**THD:**

11.5% at 120V, 21% at 277V

Dimensions



POLE DIA	DIM "A"
3.0"	R 1.50"
3.5"	R 1.75"
4"	R 2.0"
5"	R 2.5"
6"	R 3.0"