

Color: Bronze

Weight: 0.3 lbs

Project:

Type:

Prepared By:

Date:

Technical Specifications

Performance

Description:

Round pole adaptor 3" round pole with gasket. Does not support mounting multiple fixtures at 90° orientation.

Compliance

Trade Agreements Act Compliant:

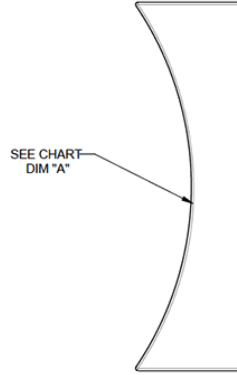
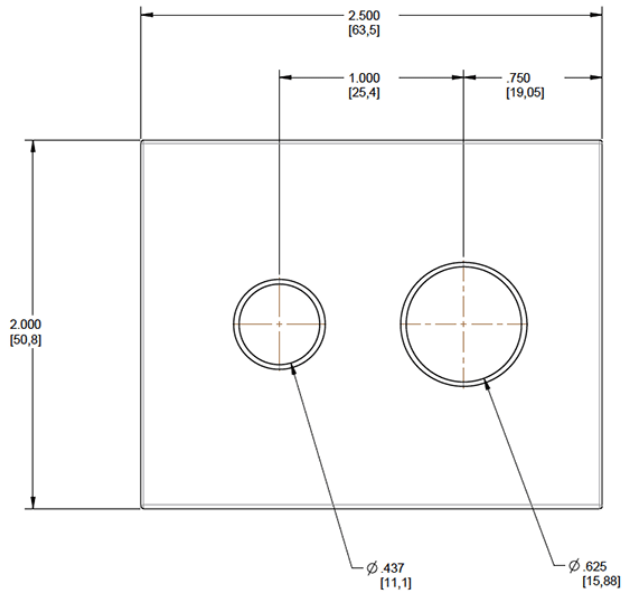
This product is a product of Cambodia and a "designated country" end product that complies with the Trade Agreements Act

Electrical

THD:

8.1% at 120V, 10.7% at 277V

Dimensions



| POLE DIA | DIM "A" |
|----------|---------|
| 3" | R 1.50" |
| 3.5" | R 1.75" |
| 4" | R 2.0" |
| 5" | R 2.5" |
| 6" | R 3.0" |