



Color: Bronze

Weight: 0.5 lbs

Project:

Type:

Prepared By:

Date:

### Technical Specifications

#### Performance

##### Description:

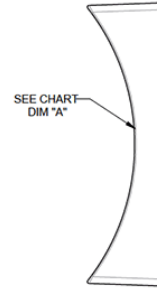
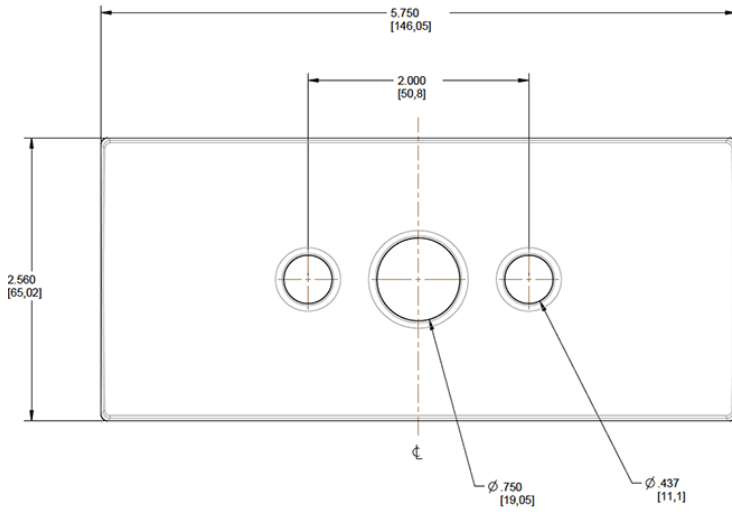
Round pole adaptor 6"

#### Other

##### Compatibility:

AL, ALX, AJ, ALED52, ALED78, ALED104, ALED105, ALED125 and ALED150

### Dimensions



| POLE DIA | DIM "A" |
|----------|---------|
| 3.0"     | R 1.50" |
| 3.5"     | R 1.75" |
| 4"       | R 2.0"  |
| 5"       | R 2.5"  |
| 6"       | R 3.0"  |