



Color: White

Weight: 6.4 lbs

<b>Project:</b>	<b>Type:</b>
<b>Prepared By:</b>	<b>Date:</b>

Driver Info		LED Info	
Type	Constant Current	Watts	35/30/25W
120V	0.28A/0.25A/0.21A	Color Temp	3500/4000/5000K
208V	0.17A/0.15A/0.12A	Color Accuracy	83-85 CRI
240V	0.15A/0.13A/0.11A	L70 Lifespan	100,000 Hours
277V	0.12A/0.11A/0.10A	Lumens	3,543-4,749 lm
Input Watts	24.6-33.8W	Efficacy	134.7-148.1 lm/W

## Technical Specifications

### Field Adjustability

#### Field Adjustable:

Field Adjustable Light Output:  
35/30/25W (factory default 35W)  
Color temperature selectable 3500K, 4000K and 5000K (factory default 4000K)

### Compliance

#### UL Listed:

Suitable for damp locations

#### IESNA LM-79 & LM-80 Testing:

RAB LED luminaires have been tested by an independent laboratory in accordance with IESNA lm-79 and lm-80

#### Trade Agreements Act Compliant:

This product is a product of Cambodia and a "designated country" end product that complies with the Trade Agreements Act

#### DLC Listed:

This product is listed by Design Lights Consortium (DLC) as an ultra-efficient premium product that qualifies for the highest tier of rebates from DLC Member Utilities. Designed to meet DLC 5.1 requirements.

DLC Product Code: S-CSN5NZ

### Electrical

#### Driver:

35W: Class 2, Constant Current, 120-277V, 50/60 Hz, 120V: 0.28A, 208V: 0.17A, 240V: 0.15A, 277V: 0.12A  
30W: Class 2, Constant Current, 120-277V, 50/60 Hz, 120V: 0.25A, 208V: 0.15A, 240V: 0.13A, 277V: 0.11A  
20W: Class 2, Constant Current, 120-277V, 50/60 Hz, 120V: 0.21A, 208V: 0.12A, 240V: 0.11A, 277V: 0.10A

#### Dimming Driver:

Driver includes dimming control wiring for 0-10V dimming systems. Requires separate 0-10V DC dimming circuit. Dims down to 10%.

#### THD:

8.42% at 120V, 8.39% at 277V

#### Power Factor:

99.5% at 120V, 98.3% at 277V

#### Aux Power Supply:

Yes

#### Dim to Off:

Yes

#### Surge Protection:

2kV

### Construction

#### Housing:

Galvanized sheet housing and aluminum frame

#### Cold Weather Starting:

The minimum starting temperature is -20°C (-4°F)

#### Maximum Ambient Temperature:

Suitable for use in up to 40°C (104°F)

#### Lens:

Frosted polystyrene

#### Finish:

Formulated for high durability and long-lasting color

#### Green Technology:

Mercury and UV free. RoHS-compliant components.

### LED Characteristics

#### LEDs:

Long-life, high-efficacy, surface-mount LEDs

#### Color Uniformity:

RAB's range of Correlated Color Temperature follows the guidelines of the American National Standard for Specifications for the Chromaticity of Solid State Lighting (SSL) Products, ANSI C78.377-2017.

**Technical Specifications (continued)**

---

**Installation**

**Mounting:**

Mounting bracket: Two brackets and two decorative bars (Optional). Two steel clips provided, secured to the housing for securement of the mounting bracket.

**Performance**

**Lifespan:**

100,000-Hour LED lifespan based on IES LM-80 results and TM-21 calculations

**Sensor Settings**

**Default Setting:**

Brightness: 100%  
 Hold Time: 20 Minutes  
 Daylight: Disabled  
 Sensitivity: 100%  
 Stand-by Dimming Level: 20%

**Operating Voltage:**

12V DC

**Operating Current:**

≤25mA

**Output:**

Dim/0-10V

**Microwave Frequency:**

5.8GHz±75MHz

**Microwave Power:**

<0.3mW

**Stand-by Power:**

≤0.5W

**Detection Area:**

25%/50%/75%/100%

**Hold Time:**

5s/30s/1min/3min/5min/10min/20min/30min

**Daylight Threshold:**

2Lux/10Lux/30Lux/50Lux/80Lux/120Lux/Disable

**Stand-by Period:**

0s/10s/30s/1min/5min/10min/30min/+∞

**Stand-by Dimming Level:**

10%/20%/30%/50%

**Operating Temperature:**

-20°C~+60°C

**Maximum Mounting Height:**

13 ft

**Max Detection Range:**

22 ft diameter at 13 ft mounting height

**Motion Detection:**

0.5~1.5m/s

**Lux On-Off:**

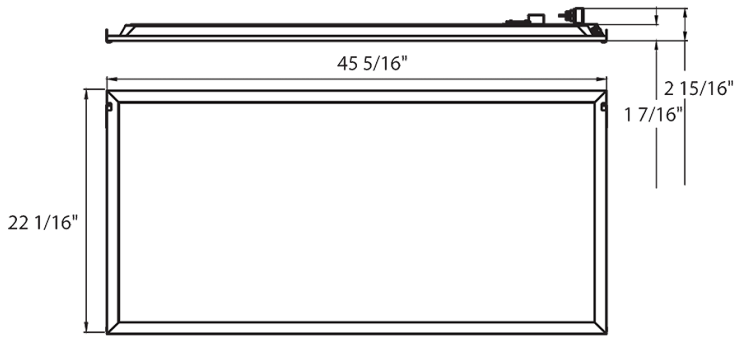
Adopted dual PD technology. GUS17-MVS is able to differentiate artificial light brightness from natural light after installed inside.

**Other**

**5 Yr Limited Warranty:**

The RAB 5-year, limited warranty covers light output, driver performance and paint finish. RAB's warranty is subject to all terms and conditions found at [rablighting.com/warranty](http://rablighting.com/warranty).

**Dimensions**



**Features**

- 0-10V Dimming, standard
- 100,000-hour LED lifespan
- 5-Year, limited warranty

**Ordering Matrix**

Family	Size (Wattage)	Color Temp	Finish	Driver	Options
RPLED	2X4 2X2 = 2' x 2' (30/25/18W) 1X4 = 1' x 4' (30/25/18W) 2X4 = 2' x 4' (35/30/25W)	Blank = 3500/4000/5000K CCT Adjustable	Blank = White	Blank = 120-277V, 0-10V Dimming	/MVS Blank = No Option /E = Battery Backup /MVS = Microwave Occupancy Sensor /LCB = Lightcloud Blue-enabled /LCBS/MVS = Lightcloud Blue w/MVS Sensor /MVS/E = Microwave Occupancy Sensor w/Battery Backup /LCB/E = Lightcloud Blue w/Battery Backup /LCBS/MVS/E = Lightcloud Blue w/MVS Sensor and Battery Backup