



Color: Gray

Weight: 4.0 lbs

<b>Project:</b>	<b>Type:</b>
<b>Prepared By:</b>	<b>Date:</b>

Driver Info		LED Info	
Type	Constant Current	Watts	25W
120V	0.23A	Color Temp	3500/4000/5000K
208V	0.13A	Color Accuracy	80 CRI
240V	0.12A	L70 Lifespan	100,000 Hours
277V	0.10A	Lumens	2040-3400 lm
Input Watts	25/20/15W	Efficacy	130-142 lm/W

**Technical Specifications**

**Compliance**

**UL Listed:**

Suitable for wet locations

**UL 94:**

5VA flame classification

**FCC:**

Complies with Part 15B of the FCC Rules

**NSF:**

NSF Certified by Public Health and Safety

**NEMA Rating:**

4X, protected against corrosion

**IESNA LM-79 & LM-80 Testing:**

RAB LED luminaires and LED components have been tested by an independent laboratory in accordance with IESNA LM-79 and LM-80.

**IP Rating:**

Ingress protection rating of IP65 for dust and water

**DLC Listed:**

This product is listed by Design Lights Consortium (DLC) as an ultra-efficient premium product that qualifies for the highest tier of rebates from DLC Member Utilities. Designed to meet DLC 5.1 requirements.  
DLC Product Code: S-2WR1TU

**Electrical**

**Driver:**

Constant Current, Class 2, 120-277V, 50/60Hz, 120V: 0.23A, 208V:0.13A, 240V: 0.12A, 277V 0.10A

**Dimming Driver:**

Driver includes dimming control wiring for 0-10V dimming systems. Requires separate 0-10V DC dimming circuit. Dims down to 10%.

**THD:**

3.55% at 120V, 4.59% at 277V

**Power Factor:**

99.9% at 120V, 97.74% at 277V

**Surge Protection:**

2.5kV

**LED Characteristics**

**LEDs:**

Long-life, high-efficacy, surface-mount LEDs

**Color Uniformity:**

RAB's range of Correlated Color Temperature follows the guidelines of the American National Standard for Specifications for the Chromaticity of Solid State Lighting (SSL) Products, ANSI C78.377-2017.

**Performance**

**Lifespan:**

100,000-Hour LED lifespan based on IES LM-80 results and TM-21 calculations

**Wattage Equivalency:**

Equivalent to (2) F32T8 or (3) F17T8

**Construction**

**IK Rating:**

IK08 Protected against 5 joules of impact. Equivalent to the impact of a 3.75 lbs. (1.7kg) mass dropped from 11.8" (300mm) above the impacted surface.

**Housing:**

Impact-resistant polycarbonate\* with stainless steel door clips. 1/2" NPS opening for conduit and bushing/cord entry. \*Polycarbonate is affected by cleaning agents or other liquids containing partial solvents such as low molecular weight aldehydes and ethers, ketones, esters, aromatic hydrocarbons and perchlorinated hydrocarbons. [Click here for a detailed list of damaging chemicals.](#)

**Lens:**

Diffuse polycarbonate lens for low glare and maximum protection

**Reflector:**

Cold-rolled steel

## Technical Specifications (continued)

### Gaskets:

High-temperature silicone gaskets

### Cold Weather Starting:

The minimum starting temperature is -40°C (-40°F)

### Ambient Temperature :

Max Power Temp Rating: 40°C (104°F)

Middle Power Temp Rating: 48°C (117°F)

Low Power Temp Rating: 51°C (123°F)

### Installation:

Tether Cables are provided for easy installation. Quick connector may be used for quick and easy wiring.

### Green Technology:

Mercury and UV free. RoHS-compliant components.

### Finish:

Formulated for high durability and long-lasting color

## Installation

### Mounting:

Quick-mount, stainless steel snap on brackets supplied for surface mounting. V-Hook brackets supplied standard for suspending the fixture.

## Sensor Settings

### Maximum Mounting Height:

19.68ft. (6m)

### Operating Voltage:

DC Input: 10.5-15V >50mA

### Dimming Control:

ON/OFF 0-10V Dimmable

### Operating Temperature:

-4°F to 104°F (-20°C to 40°C)

### IP Rating:

Ingress protection rating of IP65 for dust and water

### Brightness:

Factory Setting: 100%

### Sensitivity Setting:

25%/50%/75%/100%

(Factory Setting: 50%)

### Standby Period:

0s/10s/30s/1min/5min/10min/30min/60min/+∞

(Factory Setting: 1min)

### Daylight:

2Lux/10Lux/30Lux/50Lux/80Lux/120Lux/Disabled  
(Factory Setting: disabled)

### Hold Time:

5s/30s/1min/3min/5min/10min/20min/30min  
(Factory Setting: 20min)

### Standby Dimming:

10%/20%/30%/50%  
(Factory Setting: 20%)

### Detection Angle:

<120&deg Fresnel lens

### Detection Distance:

Radius 9.84-19.68ft. (3-6m)

### Remote Control Accessory:

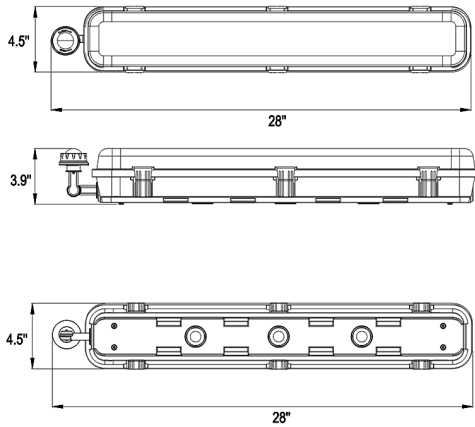
Adjust settings using remote control (catalog# MSR1). Only available with 0-10V dimming driver options. [Remote control available here.](#)

## Other

### 5 Yr Limited Warranty:

The RAB 5-year, limited warranty covers light output, driver performance and paint finish. RAB's warranty is subject to all terms and conditions found at [rablighting.com/warranty](http://rablighting.com/warranty).

## Dimensions



## Features

- 100,000-Hour LED lifespan
- DLC Premium Listed
- 0-10V dimming, standard
- 5-Year, limited warranty

## Ordering Matrix

Family	Length/Wattage	Color Temp	Finish	Driver	Options
SEAL	2				/PIR
	2 = 2 ft 25/20/15W 4 = 4 ft 50/40/30W 8 = 8 ft 100/80/60W	Blank = 3500/4000/5000K CCT Adjustable	Blank = Gray	Blank = 0-10V Dimming, 120-277V	Blank = No Option /PIR = Passive Infrared Sensor /MVS = Microwave Occupancy Sensor /E = Battery Backup /LCBS = Lightcloud Blue w/PIR Sensor /LCBS/MVS = Lightcloud Blue w/MVS Sensor /MVS/E = Microwave Occupancy Sensor w/Battery Backup /PIR/E = Passive Infrared Sensor w/Battery Backup /LCBS/E = Lightcloud Blue Sensor w/Battery Backup /LCBS/MVS/E = Lightcloud Blue Microwave Occupancy Sensor w/Battery Backup