

PROJECT NAME: \_\_\_\_\_ CAT. #: \_\_\_\_\_  
 NOTES: \_\_\_\_\_ FIXTURE SCHEDULE: \_\_\_\_\_

## GuardMax Oval Wall Pack Series

*CCT Select*



### Product Description:

MaxLite's GuardMax Oval Wall Pack provides an architectural design for a traditional wall light application. It includes a photocell standard for dusk to dawn functionality. It also offers emergency battery backup versions for life safety applications.

### Features:

- Die cast aluminum housing with corrosion resistant polyester paint finish
- Impact resistant UV stabilized polycarbonate lens
- Photocell can be enabled or disabled to user preference
- CCT selectable between 3500/4000/5000K
- DLC Premium

### Ordering Structure

FAMILY	WATTAGE (NOMINAL)	VOLTAGE	-	COLOR TEMPERATURE	COLOR	OPTIONS	BATTERY BACK-UP
SECR= GuardMax Oval Wall Pack	15=15W	U= 120-277V	-	CS= 3500K/4000K/5000K	B= Bronze Contact MaxLite for additional finishes	PC= Photocell (Standard)	[BLANK]= Bronze E0= 0°C Degrees BBU E2= -20°C Degrees BBU

### DLC 5.1 & Stocked Items

ORDER CODE	MODEL NUMBER	DLC PRODUCT ID#	DLC CLASSIFICATION	DLC CATEGORY
110955	SECR15U-CSBPC	S-C65F83	Premium	Outdoor Non-Cutoff and Semi-Cutoff Wall-Mounted Area Luminaires
110956	SECR15U-CSBPCE0			
110957	SECR15U-CSBPCE2			



5-year standard warranty at 16hr burn (further details available at [www.maxlite.com/warranties](http://www.maxlite.com/warranties))

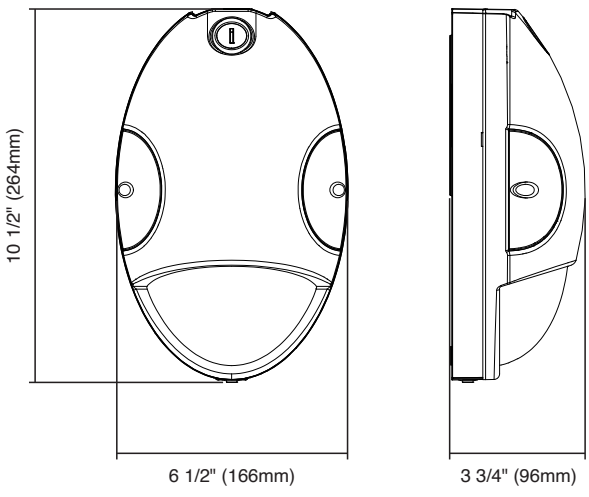


PROJECT NAME: \_\_\_\_\_ CAT. #: \_\_\_\_\_  
 NOTES: \_\_\_\_\_ FIXTURE SCHEDULE: \_\_\_\_\_

## GuardMax Oval Wall Pack Series CCT Select

Specifications	SECS15UCSBPC
NOMINAL WATTAGE	15W
LUMENS DELIVERED	1,900 - 1,940
EQUIVALENCY	50W
EFFICACY ( lm/W)	132-138
CCT	Selectable 3000/4000/5000K (5000K default)
CRI	≥80
L70 (hrs)	≥150,000Hrs
VOLTAGE	120-277V 50/60Hz
POWER FACTOR	≥0.90
HOUSING	Die Cast Aluminum with corrosion resistant polyester paint finish
LENS	Impact resistant UV stabilized polycarbonate
MOUNTING	Direct Wall mount with universal plate for 3-4.5" Jbox, two 1/2" conduit holes, one on top and back
OPERATING TEMPERATURE	-40°C/-40°F to 40°C/104°F Battery Backup either 0°C/32°F or -20°C/-4°F on the low end
LISTINGS	E0 & E2 UL924, UL, FCC and DLC Premium
ENVIRONMENT	Wet Location and IP66
WARRANTY	5 years

### Dimensions



### Photometric Layouts\*

\*Units in FC

