



<b>Project:</b>	<b>Type:</b>
<b>Prepared By:</b>	<b>Date:</b>

Driver Info		LED Info	
Type	Constant Current	Watts	25/20/15W
120V	0.21A/0.17A/0.13A	Color Temp	3500/4000/5000K
208V	0.12A/0.10A/0.09A	Color Accuracy	83-85 CRI
240V	0.11A/0.09A/0.08A	L70 Lifespan	100,000 Hours
277V	0.10A/0.08A/0.07A	Lumens	2,270-3,683 lm
Input Watts	16-25.7W	Efficacy	137.6-148.2 lm/W

**Technical Specifications**

**Compliance**

**UL Listed:**

Suitable for wet locations

**UL 746C:**

F1 weatherability rating for UV resistance, water exposure, and extreme temperature conditions.

**NSF:**

NSF Certified by Public Health and Safety

**NEMA Rating:**

4X, protected against corrosion

**IP Rating:**

Ingress protection rating of IP66 for dust and water

**DLC Listed:**

This product is on the Design Lights Consortium (DLC) Qualified Products List and is eligible for rebates from DLC Member Utilities. Designed to meet DLC 5.1 requirements.  
 DLC Product Code: S-V3CE02 (Direct Linear Ambient Luminaires)  
 DLC Product Code: S-W04BEC (Stairwell and Passageway Luminaires)

**Electrical**

**Dimming Driver:**

Driver includes dimming control wiring for 0-10V dimming systems. Requires separate 0-10V DC dimming circuit. Dims down to 10%.

**THD:**

2.15% at 120V, 3.37% 277V

**Power Factor:**

99.8% at 120V, 95.6% at 277V

**Surge Protection:**

2.5kV

**Construction**

**Housing:**  
 IK09 impact-resistant polycarbonate with 5VA flame rating\*  
 1/2" openings for conduit and bushing/cord entry  
 \*Polycarbonate is affected by cleaning agents or other liquids containing partial solvents such as low molecular weight aldehydes and ethers, ketones, esters, aromatic hydrocarbons and perchlorinated hydrocarbons. [Click here for a detailed list of damaging chemicals.](#)

**Lens:**

Diffuse polycarbonate lens for low glare and maximum protection

**Maximum Ambient Temperature:**

Suitable for use in up to 40°C (104°F)

**Cold Weather Starting:**

The minimum starting temperature is -40°C (-40°F)

**Green Technology:**

Mercury and UV free. RoHS-compliant components.

**Finish:**

Formulated for high durability and long-lasting color

**Installation**

**Mounting:**

Quick-mount, surface, stainless steel spring clips supplied. 4 additional mounting accessory kits available.

**LED Characteristics**

**LEDs:**

Long-life, high-efficacy, surface-mount LEDs

**Color Stability:**

LED color temperature is warranted to shift no more than 200K in color temperature over a 5-year period

## Technical Specifications (continued)

### Color Uniformity:

RAB's range of Correlated Color Temperature follows the guidelines of the American National Standard for Specifications for the Chromaticity of Solid State Lighting (SSL) Products, ANSI C78.377-2017.

### Performance

#### Lifespan:

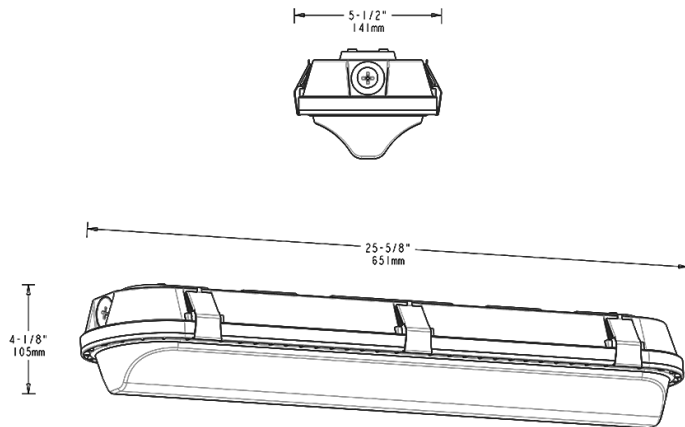
100,000-Hour LED lifespan based on IES LM-80 results and TM-21 calculations

### Other

#### Warranty:

RAB warrants that our LED products will be free from defects in materials and workmanship for a period of five (5) years from the date of delivery to the end user, including coverage of light output, color stability, driver performance and fixture finish. RAB's warranty is subject to all terms and conditions found at [rablighting.com/warranty](http://rablighting.com/warranty).

## Dimensions



## Features

Impact-resistant linear washdown

Ideal for tunnels and stairwells

Mounting options: Chain, junction box, angled surface mount or vandal-resistant surface mount

IP66 Rating protects against dust & water ingress

5-Year, No-Compromise Warranty

100,000-Hour LED lifespan

## Ordering Matrix

Family	Size/Wattage	Mounting	Color Temp	Finish	Driver	Options
SHARK	2					
	<b>2M</b> = 2ft (25/20/15W) Marine Listed <b>4</b> = 4ft (50/40/30W) <b>4M</b> = 4ft (50/40/30W) Marine Listed <b>8</b> = 8ft (100/80/60W) <b>8M</b> = 8ft (100/80/60W) Marine Listed <b>2</b> = 2ft (25/20/15W)	<b>Blank</b> = Metal Bracket with hooks	<b>Blank</b> = 3500/4000/5000K CCT Adjustable	<b>Blank</b> = White	<b>Blank</b> = 120-277V, 0-10V Dimming	<b>/LCBS/MVS/E</b> = Lightcloud Blue w/MVS Sensor & Battery Backup <b>/LCBS/E</b> = Lightcloud Blue w/PIR Sensor & Battery Backup <b>/PIR/E</b> = Passive Infrared Occupancy Sensor w/Battery Back Up <b>/MVS/E</b> = Microwave Occupancy Sensor w/Battery Backup <b>/LCBS/MVS</b> = Lightcloud Blue w/MVS Sensor <b>/LCBS</b> = Lightcloud Blue w/PIR Sensor <b>/PIR</b> = Passive Infrared Occupancy Sensor <b>/MVS</b> = Microwave Occupancy Sensor <b>/LC</b> = Lightcloud <b>/E</b> = Battery Backup <b>Blank</b> = No Option