

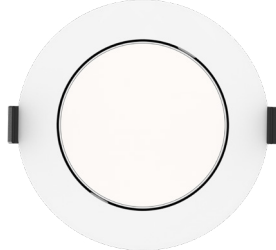
DGW G1

LED Downlight - Gimbal Wafer Gen 1 **DESIGN XP**

Due to continuous product improvements, specification and/or equipment updates may change without notice.



SIDE VIEW



FRONT VIEW



(Images are shown for illustration purposes only)

DGW 4R 4" Round

Selectable CCT Driver

The DGW LED Gimbal Wafer Downlight Series offers a smooth, edge-to-edge downlight with 90 CRI, 5 selectable CCT options, and featuring a 180° rotation and a 25° tilt. Easy connect, two part driver/housing design makes installation easy for retrofit and/or new construction purposes.

CATALOGUE

Catalog Number	Description	Lumens	Watts	CCT SELECTABLE	Voltage
DGW 4R 8 G19FSK	4" Round LED Wafer Gimbal Downlight - 110° Beam Angle	750 Lm	10 W	2700K - 5000K	120V
DGW 6R 10 G19FSK	6" Round LED Wafer Gimbal Downlight - 110° Beam Angle	1,000 Lm	13 W	2700K - 5000K	120V

ORDERING GUIDE

Luminaire Type	Size	Lumen Output	Optic	Generation	Voltage	Selectable CCT and CRI	Finish	Options - Emergency Backup	Accessories (Ships Separately)
• DGW LED Downlight - Gimbal Wafer	• 4R 4" ROUND	• 8 750 LUMENS / 10W	• BLANK 110° Beam Angle	• G1 1st Generation	• BLANK 120V	• 9FSK 90 CRI - 2700K/ 3000K/ 3500K/ 4000K/ 5000K	• BLANK MATTE WHITE	• BLANK No backup. • EMA-DH20T-UNV-110 Emergency battery backup	• BLANK No accessories. • DE 3/4/6/8/10R HOUSING ENew Construction Universal Housing. • DT GR 4R W 4" Goof Ring for 4" Downlights only. • DT GR 6R W 6" Goof Ring for 6" Downlights only.
	• 6R 6" ROUND	• 10 1,000 LUMENS / 13W							

DGW G1



SPECIFICATIONS

Housing

Polycarbonate (PC) material diffuser. Die-casting aluminum flange and metal cover.

Rotation & Tilt

180° Rotation & 25° Tilt

Operate Temperature

-25° C to 40° C (-13° F to 104° F).

Electrical

120V - 50/60 Hz

CCT and CRI

2700K/5000K - 90 CRI

Lumen Output

750 Lm and 1,000 Lm options

Wattage

10 W and 13 W options

Optics

110° beam angle

Input Voltage

TRIAC/ELV driver 120V

Dimming

10-100%

Mounting

Recessed, Canless

Warranty

5-year limited warranty. Comprehensive warranty terms can be located on www.slgus.com.

Certifications

Energy Star listed. ETL listed - Suitable for Wet Locations (non-conductive trim). FCC compliant. Certified to California T24 JA8 and T20 requirements.

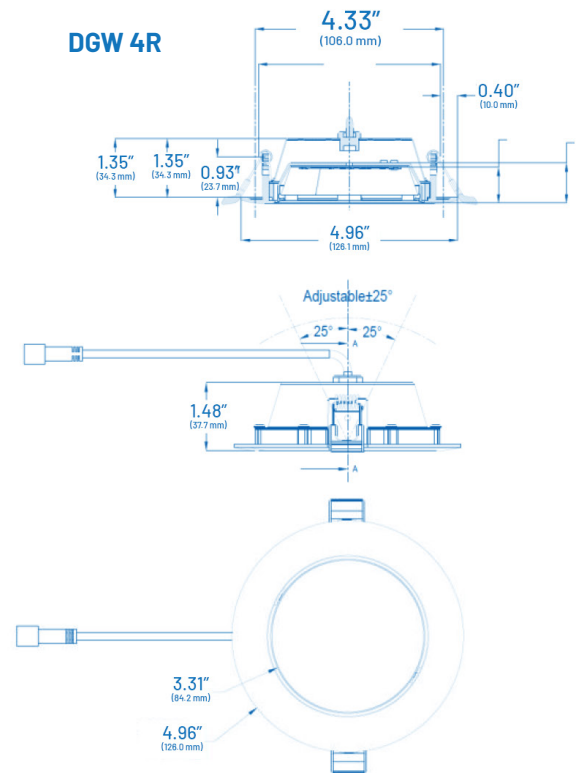
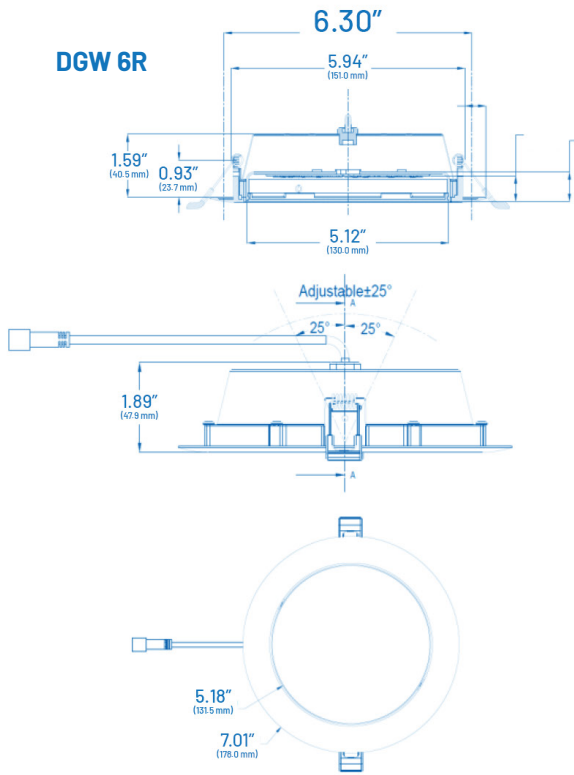
IC Rated

Suitable for direct contact with insulation. Type IC inherently protected, suitable for direct contact to air permeable insulation and cULus listed damp locations. Not for use in direct contact with spray foam insulation, consult NEMA LSD57-2013.

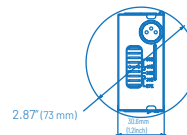
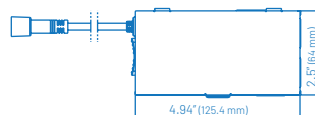
PERFORMANCE

Series Number	Lumens	Wattage	CCT
DGW 4R	750 Lm	10 W	2700K/ 3000K/
DGW 6R	1,000 Lm	13 W	3500K/ 4000K/ 5000K

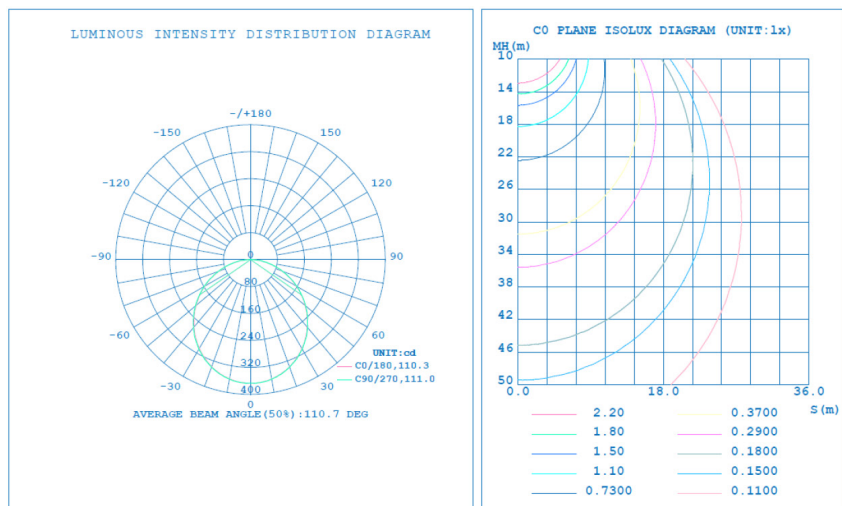
DIMENSIONS



J-BOX

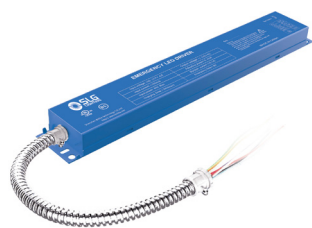


OPTICAL DISTRIBUTION



Items	Value
Sample	6in
Voltage	120V
Watts	13.56W
Efficiency	76.59lm/w
Lumens	1038.44lm
CCT	2700K
CRI	90

ACCESSORIES



EMA-DH20T-UNV-110

Product Specifications			
Input Voltage	100-277V AC, 50/60Hz	Output Voltage	110V AC
Input Current (Max)	100mA	Warranty	5 Years
Input Power (Max)	7 W	Output Power	20 W
Emergency Time	90 Minutes	Battery Type	Lithium
Charging Time	≥ 24 Hours	Ambient Temp	5°C - 50°C (41°F - 122°F)



DE 3/4/6/8/10R HOUSING



DT GR 4R W / DT GR 6R W

INSTALLATION DIAGRAM

Fig: 1

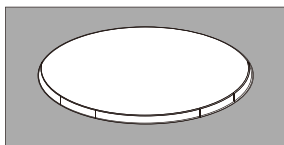


Fig: 2

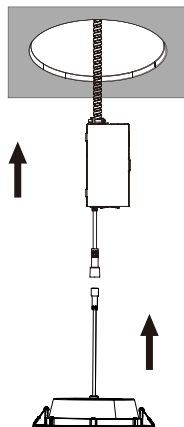


Fig: 3

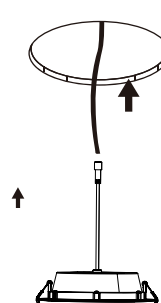


Fig: 4

