

SLP G1

LED Selectable Slot Panel Gen 1 **DESIGN XP**

Due to continuous product improvements, specification and/or equipment updates may change without notice.



(Images are shown for illustration purposes only)

SLP 4 LS44 4'

The **SLP Selectable Slot Panel** creates an engaging environment experience with its edge to edge illumination and architectural presentation. Take control of your lighting atmosphere with switch selectable CCT and Lumen outputs - giving you and your customers a one-stop solution for your design needs. 0-10V dimming, beautiful light distribution, and 3 lengths to unlock your true creative lighting potential. See how lighting can change your world, start designing with the **SLP** line from SLG Lighting.

Catalog Number	Description	Lumens	Watts	CCT	Voltage
SLP 2 LS22 G1 FSK	LED Selectable Slot Panel - 2' Length - First Generation	Selectable 1,600 - 2,200 Lm	Selectable 13 - 20 W	Selectable 3000K - 5000K	120V - 277V
SLP 4 LS44 G1 FSK	LED Selectable Slot Panel - 4' Length - First Generation	Selectable 2,200 - 4,400 Lm	Selectable 18 - 40 W	Selectable 3000K - 5000K	120V - 277V
SLP 8 LS88 G1 FSK	LED Selectable Slot Panel - 8' Length - First Generation	Selectable 4,400 - 8,800 Lm	Selectable 40 - 80 W	Selectable 3000K - 5000K	120V - 277V

ORDERING GUIDE

Example: **SLP 4 LS44 G1 FSK**

Fixture Type	Length	Selectable Lumen Output	Generation	Voltage	Selectable CCT	Finish	Options - Mounting
• SLP LED Selectable Slot Panel	• 2 2'	• LS22 1,600 Lm / 13 W 1,900 Lm / 16 W 2,200 Lm / 20 W	• G1 First Generation	• BLANK 120-277 V	• FSK 3000K 3500K 4000K 5000K	• BLANK White	• BLANK None
	• 4 4'	• LS44 2,200 Lm / 18 W 3,300 Lm / 28 W 4,400 Lm / 40 W					• 6INX2FT-SMK-2.8IN Surface Mounting Kit for SLP 2
	• 8 8'	• LS88 4,400 Lm / 40 W 6,600 Lm / 60 W 8,800 Lm / 80 W					• 6INX4FT-SMK-2.8IN Surface Mounting Kit for SLP4

Performance Information

Series Number	Wattage	3000K		3500K		4000K		5000K	
		Lumens	Efficacy	Lumens	Efficacy	Lumens	Efficacy	Lumens	Efficacy
SLP 2 LS22	13 W	1,586 Lm	121 Lm/W	1,624 Lm	126 Lm/W	1,654 Lm	129 Lm/W	1,696 Lm	128 Lm/W
	16 W	1,876 Lm	117 Lm/W	1,966 Lm	124 Lm/W	2,008 Lm	127 Lm/W	1,969 Lm	122 Lm/W
	20 W	2,286 Lm	113 Lm/W	2,375 Lm	120 Lm/W	2,451 Lm	125 Lm/W	2,407 Lm	118 Lm/W
SLP 4 LS44	18 W	2,208 Lm	121 Lm/W	2,285 Lm	126 Lm/W	2,328 Lm	129 Lm/W	2,346 Lm	127 Lm/W
	28 W	3,272 Lm	116 Lm/W	3,387 Lm	122 Lm/W	3,444 Lm	126 Lm/W	3,434 Lm	122 Lm/W
	40 W	4,304 Lm	113 Lm/W	4,361 Lm	119 Lm/W	4,451 Lm	123 Lm/W	4,409 Lm	119 Lm/W
SLP 8 LS88	37 W	4,422 Lm	120 Lm/W	4,498 Lm	125 Lm/W	4,600 Lm	129 Lm/W	4,646 Lm	127 Lm/W
	57 W	6,598 Lm	115 Lm/W	6,759 Lm	122 Lm/W	6,915 Lm	125 Lm/W	6,862 Lm	122 Lm/W
	80 W	8,873 Lm	112 Lm/W	9,065 Lm	117 Lm/W	9,355 Lm	121 Lm/W	9,141 Lm	115 Lm/W

Specifications

Housing

Body consists of extruded aluminum.

Mounting

Recessed mounting (default), surface mounting, and flange kit.

Efficacy

Up to 129 lumens per watt.

CCT and CRI

Field selectable: 3000K, 3500K, 4000K and 5000K. CRI 80.

Lumen Output

Field selectable: 1,600 - 8,800 Lm.

Warranty

5-year limited warranty. Comprehensive warranty terms can be located on www.slgus.com.

Electrical

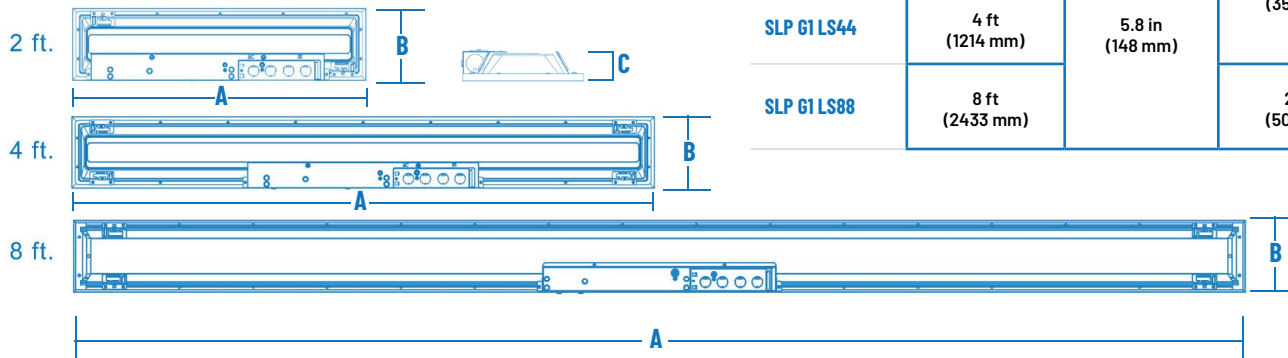
Standard 120V - 277V
0-10V Dimmer.

Certifications

UL Listed for damp locations. FCC compliant.
Design Lights Consortium® (DLC) 5.1 listed.

Dimensions

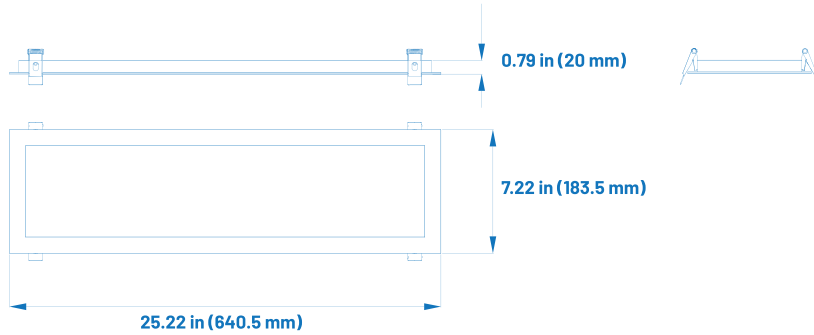
SLP G1



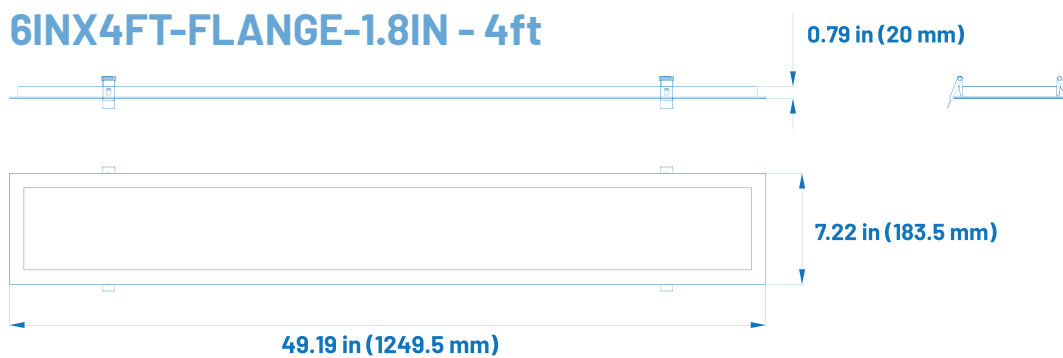
Type	Measurements (Inch/MM)		
	Length (A)	Width (B)	Height (C)
SLP G1 LS22	2 ft (605 mm)	5.8 in (148 mm)	1.4 in (35 mm)
SLP G1 LS44	4 ft (1214 mm)		2 in (50 mm)
SLP G1 LS88	8 ft (2433 mm)		

Flange Kit

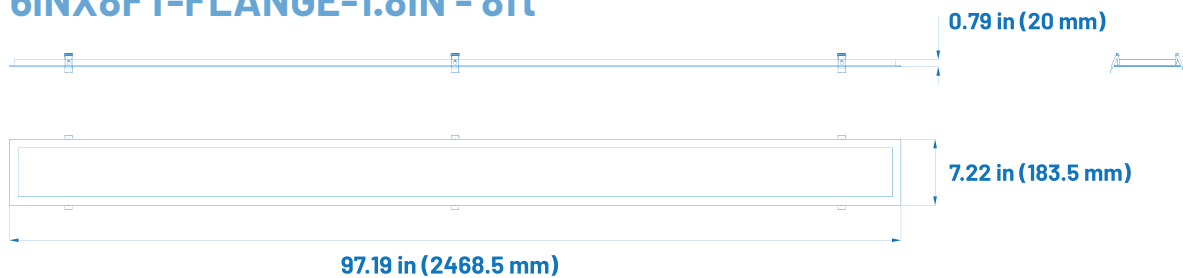
6INX2FT-FLANGE-1.8IN - 2ft



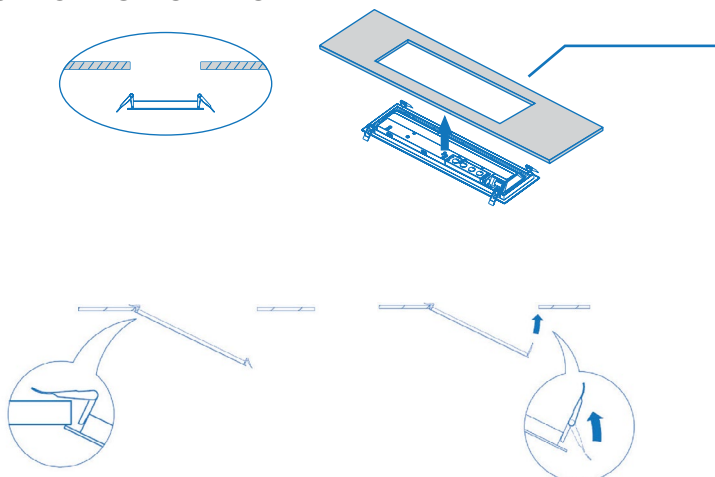
6INX4FT-FLANGE-1.8IN - 4ft



6INX8FT-FLANGE-1.8IN - 8ft



Installation Overview



Cut out dimensions:

- 2': 6.9" x 24.3" (175 x 617 mm)
- 4': 6.9" x 48.2" (175 x 1224 mm)
- 8': 6.9" x 96.2" (175 x 2443 mm)

Electrical Load

	Power Setting	Wattage	Current (A)			
			120V	208V	240V	277V
SLP 2'	Low	13 W	0.11	0.63	0.05	0.05
	Med	16 W	0.13	0.08	0.07	0.06
	High	20 W	0.17	0.10	0.08	0.07

	Power Setting	Wattage	Current (A)			
			120V	208V	240V	277V
SLP 4'	Low	18 W	0.15	0.08	0.08	0.07
	Med	28 W	0.23	0.13	0.12	0.10
	High	40 W	0.33	0.19	0.17	0.14

	Power Setting	Wattage	Current (A)			
			120V	208V	240V	277V
SLP 8'	Low	40 W	0.33	0.19	0.17	0.14
	Med	60 W	0.50	0.29	0.25	0.22
	High	80 W	0.67	0.38	0.33	0.28

DLC Product ID

MODEL NUMBER	ID NUMBER
SLP 2LS22 G1 FSK	S-TLBQMK
SLP 4 LS44 G1 FSK	S-THDRPY
SLP 8 LS88 G1 FSK	S-S4W088

Shipping Information



Product Number	Master Carton Size	Master Carton Weight	# Per Carton	Individual Box Size	Individual Box Weight	# Per Carton	# Per Pallet
SLP 2 LS22 G1 FSK	25" x 5.6" x 13"		6	24" x 5.9" x 1.4"		1	
SLP 4 LS44 G1 FSK	49" x 5.6" x 13"		6	48" x 5.9" x 1.4"		1	
SLP 8 LS88 G1 FSK	97" x 7.2" x 13"		6	96" x 5.9" x 2"		1	