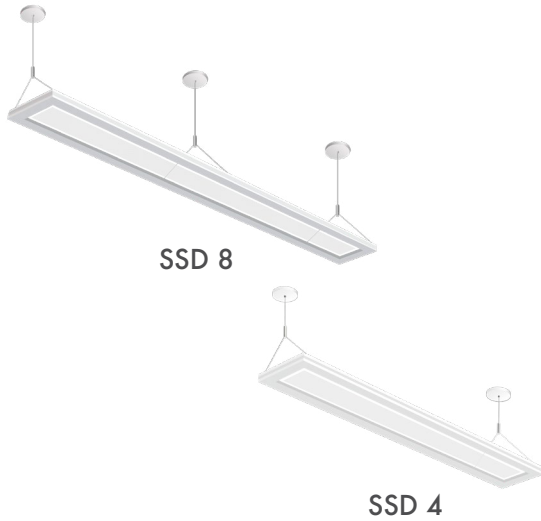


PROJECT: _____
 CATALOG #: _____
 FIXTURE TYPE: _____
 NOTES: _____

SSD Suspending Semi-Direct LED Luminaire



PERFORMANCE INFORMATION

SERIES NUMBER	WATT	LUMENS	CCT
SSD 4 42 G1 35K	40W	4,254	3500K
SSD 8 85 G1 35K	80W	8,598	

The *SSD Suspending Semi-Direct Luminaire Gen 1* is a commercial pendant architectural lighting with advanced LED optical system for superior performance. This stunning design includes a transparent zone between the frame and light emitting edge to create an illusion of the light floating in mid-air. This luminaire is available in 4 ft and 8 ft and can be mounted individually or joined to create a continuous row for linear illumination. Key features include 55% downlighting and 45% uplighting, and step dimming.

APPLICATIONS

Airport, Educational, Executive, Health, Hospitality, Hotels, Medical, Retail, and any open spaces that require a unique and elegant architectural lighting design.

REPLACEMENT

T8 fluorescent lamps with at least 60,000 hours of virtually maintenance-free illumination

ORDERING GUIDE							EXAMPLE: SSD 4 42 G1 35K
Luminaire Type	Fixture Length	Lumen Output	Generation	Voltage	CCT	Finish	Options
SSD Suspending Semi-Direct LED Luminaire	4 =4 feet	42 4,254 Lumens	G1	BLANK = 120-277V	35K 3500K	BLANK = White	BLANK =No Option
	8 =8 feet	85 8,598 Lumens					

Due to continuous product improvements, specification and/or equipment updates may change without notice.

SPECIFICATIONS

HOUSING AND FINISH

The body is made of extruded aluminium. The standard finish is polyester powder white.

AMBIENT TEMPERATURE

Suitable for use in 0°C - 40°C (32°F - 104°F)

MOUNTING

Comes with a 4' suspension cable, a 4' white power cord and a white canopy. Capable of row mounting to create continuous line without additional hardware or accessories. Using 120V AC, you can connect up to 10 panels together. Using 277V AC, you can connect up to 20 panels together.

EFFICACY

40W: up to 105lm/W

80W: up to 108lm/W

ELECTRICAL

Standard 120/277V with 50/60Hz, 0-10V dimming.

CCT AND CRI

3500K CCT available; 80 CRI

LENS

High transmitting acrylic PMMA lens.

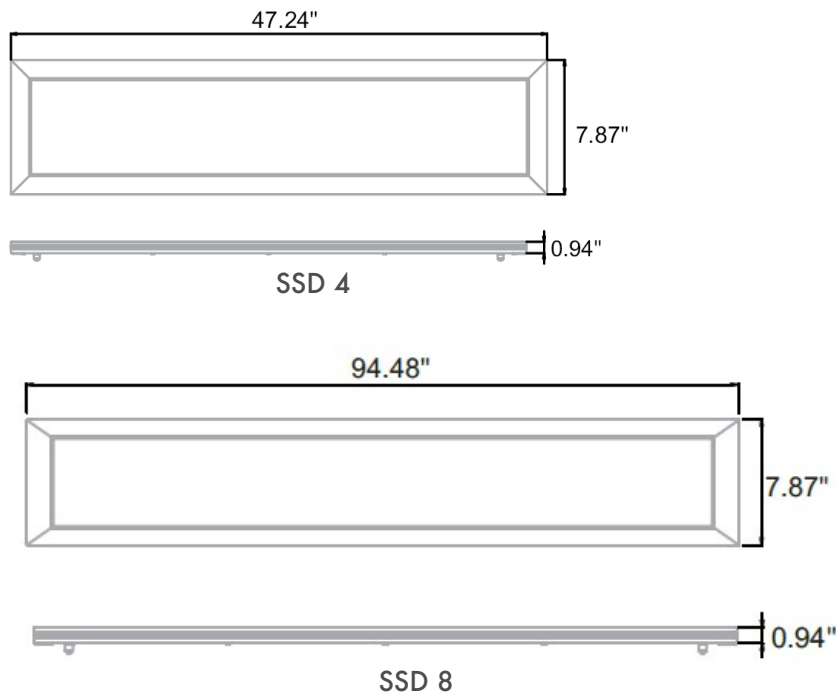
WARRANTY

5-year limited warranty. Please visit www.slgus.com for complete warranty terms.

CERTIFICATIONS

UL Listed. DesignLights Consortium® (DLC) 4.4 qualified product. Not all versions of this product may be DLC qualified. Please visit www.slgus.com to confirm which versions are qualified.

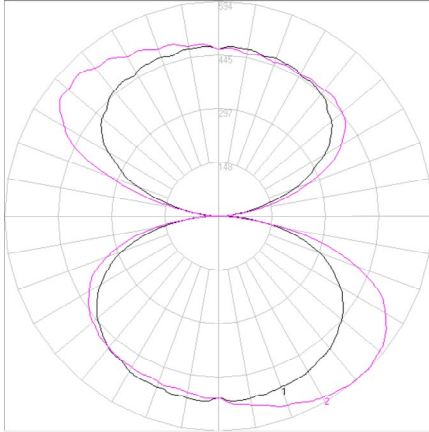
DIMENSIONS



Due to continuous product improvements, specification and/or equipment updates may change without notice.

PHOTOMETRIC

SSD 4 42 G1 35K



4254 Lumens
 Power: 40W
 Efficacy: 106.35 lm/W
 50% Beam Angle: 147°

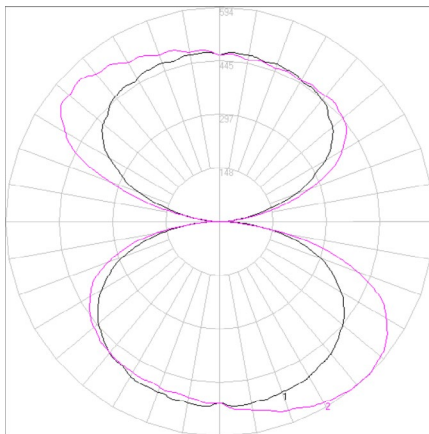
CANDLE POWER DISTRIBUTION

Angle (°)	Average (cd)
0	502
5	514
15	540
25	501
35	482
45	457
55	411
65	335
75	220
85	57
90	0

ZONAL LUMEN SUMMARY

Zone	Lumens	% Fixture
0-30	433.69	10.20
0-40	755.04	17.70
0-60	1551.15	36.50
0-90	2271.71	53.40
0-180	4253.98	100.0

SSD 8 85 G1 35K



8598 Lumens
 Power: 80W
 Efficacy: 106.27 lm/W
 50% Beam Angle: 147°

CANDLE POWER DISTRIBUTION

Angle (°)	Average (cd)
0	502
5	514
15	540
25	501
35	482
45	457
55	411
65	335
75	220
85	57
90	0

ZONAL LUMEN SUMMARY

Zone	Lumens	% Fixture
0-30	867.38	10.20
0-40	1510.08	17.70
0-60	3102.3	36.50
0-90	4543.42	53.40
0-180	8507.96	100.0

Due to continuous product improvements, specification and/or equipment updates may change without notice.

INTERNAL REPLACEABLE DRIVER



TM21 TABLE

Time (t) at which to estimate lumen maintenance (hours)	50,000
Lumen maintenance at time (t) (%)	76.40%
Calculated L70 (hours)	66,000
Reported L70 (hours)	>54,000

ELECTRICAL LOAD

WATT	Current (A)			
	120V	208V	240V	277V
40W	0.33	0.19	0.17	0.14
80W	0.67	0.38	0.33	0.29

Due to continuous product improvements, specification and/or equipment updates may change without notice.