

PROJECT:	_____
CATALOG #:	_____
FIXTURE TYPE:	_____
NOTES:	_____

TPR LED Patient Bed Light



The sleek and low-profile *TPR LED Patient Bed Light* is designed specifically to meet the unique needs of healthcare spaces. This human-centric luminaire provides optimal light distribution for reading and ambient lighting for patients and healthcare professionals. The easily accessible pull chain allows for three different light distributions including direct, indirect or both. Easy installation and low-maintenance combined with superior features provide ease of mind and optimize patient care.



APPLICATIONS

Hospital patient rooms

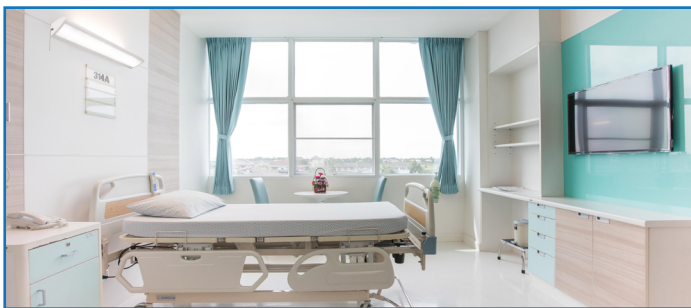


Table of Contents

Product Specifications	Page 1
Ordering Guide	Page 2
Dimensions	Page 3
Performance Comparison	Page 4
Electrical Data	Page 4
Photometric	Page 4

SPECIFICATIONS

HOUSING

Aluminum body with die-cast end caps.

AMBIENT TEMPERATURE

Suitable for use in 0°C to 40°C (32°F to 104°F)

MOUNTING

Wall mount

EFFICACY

Up to 111 lumens per watt (see individual wattage data)

CCT AND CRI

4000K CCT available; CRI >80

OPTICS

UV-stabilized, high impact resistant, frosted acrylic lens

WARRANTY

5-year limited warranty. Comprehensive warranty terms can be located on www.slgus.com.

ELECTRICAL

50/60Hz operation with 120-277V input.

LIFESPAN

50,000 hrs of L70 LED life.

FINISH

Polyester Powder White or Light Grey Gloss Finishes

CERTIFICATIONS

UL Listed for damp location. Suitable for dry and damp location.

Due to continuous product improvements, specification and/or equipment updates may change without notice.

ORDERING GUIDE							EXAMPLE: TPR 4 80 G1 40K
Luminaire Type	Size	Lumen Output	Generation	Voltage	CCT*	Finish	Options
TPR Patient Room Luminaire	4= 4 ft	80 8,436 Lumens	G1	BLANK= 120-277V	40K 4000K	BLANK= White GW= Light Grey (C9002)	EL UNV-8W= Emergency Backup

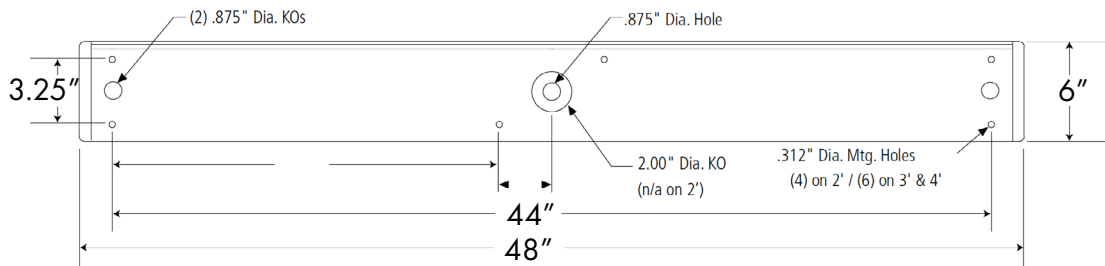
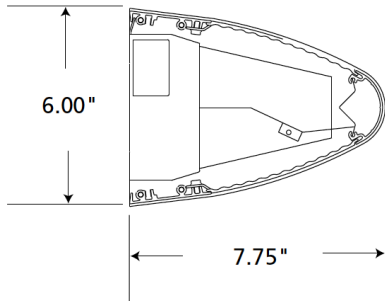
*Please call sales for special CCT.
May require longer lead time.

RECOMMENDED REPLACEMENT & MOUNTING HEIGHT

DISTRIBUTION	WATTAGE	LUMENS	REPLACEMENT	MOUNTING HEIGHT
Up	38W	4,218 Lm	1 Lamp F32T8 Up	5'-8'
Down	38W	4,218 Lm	1 Lamp F32T8 Down	
Up & Down	76W	8,436 Lm	1 Lamp F32T8 Up/ 1 Lamp F32T8 Down	

Due to continuous product improvements, specification and/or equipment updates may change without notice.

DIMENSIONS



Due to continuous product improvements, specification and/or equipment updates may change without notice.

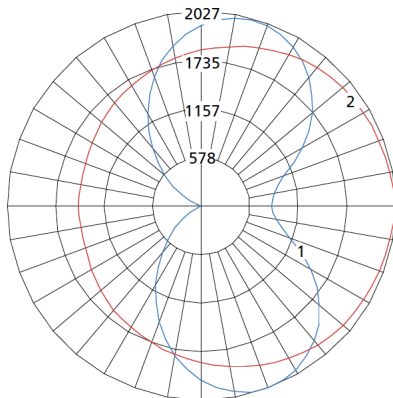
PERFORMANCE DATA

			4000K	
Distribution	Wattage	Voltage	Lumens	Efficacy
Up	38W	120-277V	4,218	111
Down	38W	120-277V	4,218	111
Up & Down	76W	120-277V	8,436	111

ELECTRICAL LOAD

Current (A)				
Wattage	120V	208V	240V	277V
76W	0.63	0.37	0.32	0.27

PHOTOMETRIC



Due to continuous product improvements, specification and/or equipment updates may change without notice.